

DISCOVERY

PRO

ENGLISH	1 – 14
DEUTSCH	15 – 30
FRANÇAIS	31 – 46
ESPAÑOL	47 – 62
PORTUGUÊS	63 – 76
POLSKI	77 – 92
РУССКИЙ	93 – 108

CE IVD



HTL
HTL LAB SOLUTIONS



PZ HTL S.A. is in possession of a registered and certified quality management system which includes the development, production, and sales of high quality Liquid Handling products.

CONTENTS

1. INTRODUCTION
1.1 PRODUCT DESCRIPTION
1.2 WORK SAFETY INSTRUCTIONS
1.3 TECHNICAL PARAMETERS
2. OPERATION
2.1 SETTING THE VOLUME
2.2 PREPARATION FOR OPERATION
3. PIPETTING RECOMMENDATIONS
4. ASPIRATING AND DISPENSING LIQUIDS
4.1 ASPIRATING LIQUIDS
4.2 DISPENSING LIQUIDS
4.3 PRE-RINSING
4.4 ASPIRATING HIGH DENSITY LIQUIDS
5. RECALIBRATION
6. MAINTENANCE
7. TROUBLESHOOTING
8. PIPETTE KIT

1. INTRODUCTION

DISCOVERY PRO pipettes are designed for general laboratory use. Pipettes can be used for measurement and transfer of aqueous solution, acids, bases and enzyme assay applications.

These variable volume pipettes cover the range from 1 μ l to 300 μ l in 8 models.

DISCOVERY PRO pipettes operate utilizing the air cushion principle, i.e. the aspirated liquid has no contact with the shaft or plunger of the pipette. Liquid is aspirated into disposable tips put on the pipette.

Pipettes are equipped with a four-digit counter displaying the set volume, and the aspirated volume is set by means of the adjustment knob (fig. 1B). The pipette design allows the user to lock the volume setting.

1.1. PRODUCT DESCRIPTION

A. Pipetting pushbutton

B. Volume adjustment knob

Apart from adjusting the volume, the volume adjustment knob is also designed to lock the volume setting.

C. Ejector button

D. Cap

It is used to cover the calibration adjustment mechanism and it can be used for pipette identification.

E. Calibration switch

It is used to switch the pipette from operation mode to calibration mode.

F. Volume counter

The four-digit volume counter displays the volume setting.

G. Counter cap

The cap has a printed range of aspirated volume, appropriate for the given pipette model.

H. Tip ejector

I. Shafts

Made of high quality material provides high chemical and mechanical strength.

J. Module

The module consists of pistons assembly and shafts assembly which move independently.

Pipette volume is identified by the color of the calibration switch (fig. 1E) and the cap (fig. 1D), depending on the tip type.

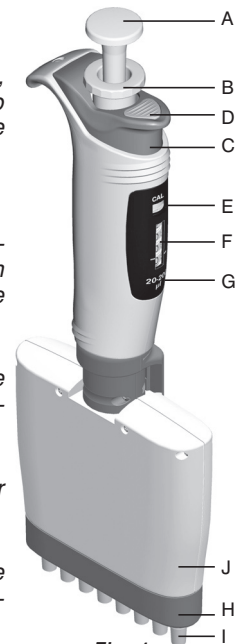



Fig. 1

The applied colors:

- 10 µl pipettes – red,
- 50 µl, 200 µl pipettes – yellow
- 300 µl pipettes - green

1.2. WORK SAFETY INSTRUCTIONS

Used symbols:

 **WARNING!** Risk of injury

CAUTION: Potential damage to the device or pipetting errors

Long-lasting and faultless working of the pipette depends to a large extent on its operation. Read the pipette operating instructions carefully and comply with the principles included.

CAUTION:

- Pipette is designed to work with the tips only. Do not aspirate liquids without tips attached. Aspirated liquid should not get into the pipette because this may damage it.
- Use only the pipette with the tips attached.
- One time use of a tip guarantees safety and eliminates possible contamination of the aspirated liquid.
- Keep the pipette clean; do not cleanse it with chemically aggressive substances (e.g. acetone).
- Do not hold the pipette horizontally if there is liquid in the tip.
- Only use pipettes in accordance with the manufacturer instruction to ensure the proper parameters of pipettes.
- In case of improper operation of the pipette, clean the pipette carefully following the instructions given or send it to the service representative.

 **WARNING!**

- Follow the laboratory work safety regulations.
- Exercise extreme caution while pipetting chemically aggressive substances. Use the protective equipment, glasses and gloves.
- Never direct the pipette with the tips attached towards yourself or anyone else when there is liquid in it.
- Use only the spare parts and accessories recommended by the manufacturer.

1.3. TECHNICAL PARAMETERS

DISCOVERY PRO pipettes are high quality laboratory instruments, which provide the highest measurement accuracy and precision.

Accuracy errors and repeatability of liquid volume measurements depend on quality of the applied tips. The errors provided, have been determined with the use of **HTL** tips by means of gravimetric method based on minimum 10 samples of distilled water with temperature of 20°±1°C under the EN ISO 8655 standard.

Model	Cat.no.	Volume [µl]	Accuracy [%]	Precision [%]	Increment [µl]	Fits to tips [µl]
DP8-10 DP12-10	4951 4955	Min 0.5	± 10.0	± 8.0	0.01	10
		5	± 4.0	± 2.0		
		Max 10	± 2.0	± 1.2		
DP8-50 DP12-50	4952 4956	Min 5	± 4.0	± 2.5	0.05	200
		25	± 3.0	± 1.2		
		Max 50	± 1.6	± 0.6		
DP8-200 DP12-200	4953 4957	Min 20	± 3.0	± 1.5	0.2	
		100	± 1.5	± 0.8		
		Max 200	± 1.0	± 0.6		
DP8-300 DP12-300	4954 4958	Min 50	± 1.6	± 1.5	0.5	300
		150	± 1.2	± 1.0		
		Max 300	± 1.0	± 0.6		

Table 1

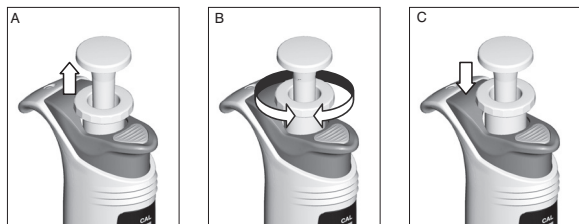
Only application of **HTL** tips guarantees accuracy of measurements at the level shown in the table above.

The pipette design enables the user to perform calibration process according to the rules presented in section 5.

2. OPERATION

2.1. SETTING THE VOLUME

Setting the volume is performed by the volume adjustment knob (fig. 1B).

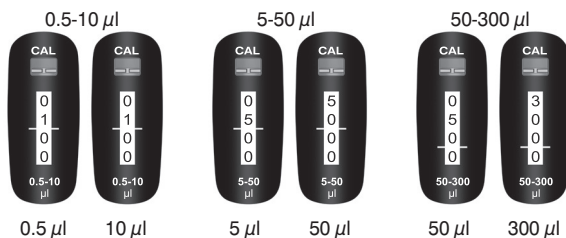

Fig. 2

The range of aspirated volume is displayed on the counter cap (fig. 1G). The volume is displayed by the counter and consists of four digits, which should be read from top to bottom. The digits on the lower drum constitute minimum graduation for the particular model. Value of the minimum graduation (increment) is presented in Table 1.

Volume can be changed after choosing the upper position of the knob (fig. 2A and 2B).

After setting the desired volume, the knob (fig. 1B) should be locked by pushing into the lower position (fig. 2C).

Examples of counter indications:

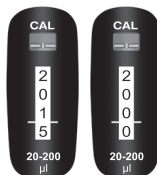


Counter indications above the horizontal indicators shown volume in [µl].

To achieve maximum accuracy, the required volume should be set from higher volume by reducing indications of the counter.

Example of correct volume setting:

- If the required volume is lower than the volume set on the counter it is necessary to reduce indications of the counter to the required value. Before achieving the required value it is necessary to reduce the speed


Fig. 3

with which you rotate the adjustment knob (fig. 1B), so as not to exceed the value (fig. 3).

- If the required volume is higher than the volume set on the counter it is necessary to increase indications of the counter to the value which exceeds the required volume by rotating the bottom drum by about 1/3 of its circumference. Then, by slowly rotating the adjustment knob (fig. 1B), reduce the setting to the required value (fig. 3).

After setting the required volume, the knob (fig. 1B) should be moved downward to lock the set volume (fig. 2C).

CAUTION: The calibration switch (fig. 1E) which is above the counter should remain in the lower position during operation. Otherwise, each change of capacity will result in decalibration of the pipette.

2.2. PREPARATION FOR OPERATION

Place the tips on the shafts of the pipette. Holding the pipette vertically, press it against the tips in the rack box, until the shafts retreat about 1.5 mm into the multichannel module. The suspension system of the shafts ensures even and tight sealing of the tips.

The twisting motion does not have to be performed.

See Table 1 for the appropriate tips designed for the given pipette model.

CAUTION:

- It is recommended to use the tips recommended by the manufacturer, as only those tips will ensure accurate and repeatable liquid measurements.
- Never aspirate liquid into a pipette without tips attached.

3. PIPETTING RECOMMENDATIONS

Observing the following recommendations will ensure accuracy and repeatability of liquid sampling.

- While operating **DISCOVERY PRO** pipette the volume setting should be locked - the adjustment knob in its lower position (fig. 2C).
- Operate the pipette pushbutton slowly and smoothly when liquid aspirating and dispensing.
- Pipette is equipped with a switch of counter's mode of operation – calibration switch (fig. 1E). This switch should be shifted only for the time of calibrating the pipette (upper position marked with the "CAL" symbol).

- The depth of tips immersion in the aspirated liquid should be around 2-4 mm.
- While operating, the pipette should be held in a vertical position.
- New tips should be pre-rinsed.
- The tips should be replaced with new ones if:
 - a different type of liquid is handled;
 - a different liquid volume is dispensed;
 - visible droplets of liquid remain in them.
- Pipetted liquid should not enter the pipette shafts. To ensure this:
 - press and release the pipetting pushbutton slowly and smoothly;
 - do not put the pipette away if there is any liquid in the tips;
 - do not invert the pipette;
 - do not set and aspirate volumes exceeding nominal values.
- Before aspirating liquid of temperature that differs from ambient temperature, it is recommended to rinse the tips several times with the aspirated liquid.

4. ASPIRATING AND DISPENSING LIQUIDS

4.1 ASPIRATING LIQUIDS

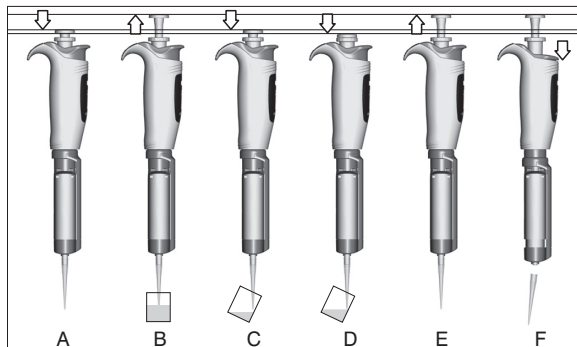


Fig. 4

- The pipetting pushbutton (fig. 1A) should be pressed to the first stop (fig. 4A),

- While holding the pipette in a vertical position, tips should be immersed into the aspirated liquid to the depth of 2 to 4 mm, and flushed once by drawing a dose of liquid and dispensing it out with slow and steady movement. The tips may aspirate air if immersed to a depth lower than recommended or if the pipetting pushbutton is released quickly,
- To aspirate liquid release the pipetting pushbutton smoothly (fig. 4B),
- Wait for about 1 second before withdrawing the tips from the aspirated sample, fig. 4.

⚠ WARNING! Do not touch the used tips.

4.2 DISPENSING LIQUIDS

- While holding the pipette slightly inclined from 10 to 40° off the vertical, place the tips orifice against the inside wall of the receiving vessel.
- Then, press the pipetting pushbutton smoothly to the first stop, dispensing the liquid (fig. 4C).
- After about one second press the pipetting pushbutton to the final stop, blowing out the remaining liquid from the tips (fig. 4D).
- Holding the pushbutton depressed remove the pipette, drawing it against the vessel inner wall.
- Release the pipetting pushbutton to its starting position (fig. 4E) and eject the tips by pressing the tip ejector button (fig. 4F).

CAUTION: Replace the tips with a new one whenever a different liquid is to be pipetted.

4.3 PRE-RINSING

When pipetting liquids of viscosity higher or surface tension lower than those of water (e.g. serum or organic solvents) a film of liquid is formed on the inside wall of the pipetting tips. The film can create an error. Since the film remains relatively constant in successive pipetting operations with the same tips, this error can be avoided by forming the film before the first pipetting. This is done by performing a full pipetting cycle of a liquid into the same vessel. After such a procedure, the film of liquid is already formed in the tips and ensures better accuracy and repeatability of successive pipetting operations.

4.4 ASPIRATING HIGH DENSITY LIQUIDS

The accuracy errors provided in Table 1 have been determined using distilled water. When pipetting liquids whose properties (density, viscosity, surface tension) differ from the properties of water, it may be necessary to compensate for volume settings.

CAUTION: Aspiration differences can be avoided if the pipetting operation is conducted slowly, so that the liquid can slowly adjust to the changing pressure. Wait for about 2 seconds after each aspirating and dispensing, without changing the position of the pipette.

If the above procedure does not provide accurate results, pipette recalibration is required according to section 5.

After calibration, it is recommended to record recalibration and the adjustment value, which will facilitate return calibration to the standard liquid.

5. RECALIBRATION

DISCOVERY PRO pipettes are calibrated by gravimetric method, using **HTL** tips and distilled water, at the temperature $20^{\circ} \pm 1^{\circ} \text{C}$, according to EN ISO 8655 standard.

It is recommended to conduct periodic inspection of the pipette operation, with the interval between inspections being dependent on the type of load (aspirated liquids) and other conditions (load intensity and autoclave sterilization, replacement of subassemblies) in which the pipette is used.

The pipette recalibration procedure should be carried out if during the pipette operation you find that the accuracy error (the difference between the real aspirated volume and the preset volume) exceeds the permissible value given in Table 1.

Aspiration efficiency of the pipette is determined e.g. by: applied tips, properties of pipetted liquid (density, viscosity) and operation conditions (ambient temperature, pressure).

Checking the pipette parameters

To determine accuracy error of the pipette, the following requirements must be fulfilled:

- The ambient temperature of the pipette, tips and the test liquid (typically distilled water) should be within the range of $20\text{-}25^{\circ}\text{C}$ and stabilized during weighing within the range $\pm 0.5^{\circ}\text{C}$,

- The balance sensitivity should be appropriate to the tested volume (Table 2),
- Table 3 shows the values of the $[\text{mg}/\mu\text{l}]$ conversion rates for distilled water or another liquid of comparable density.

Volume $[\mu\text{l}]$	0.1 - 10	10 - 100	> 100
Balance sensitivity $[\text{mg}]$	≤ 0.001	≤ 0.01	≤ 0.1

Table 2

Temperature $^{\circ}\text{C}$	Pressure $[\text{kPa}]$		
	95	101.3	105
20	1.0028	1.0029	1.0029
21	1.0030	1.0031	1.0031
22	1.0032	1.0033	1.0033
23	1.0034	1.0035	1.0036
24	1.0037	1.0038	1.0038
25	1.0039	1.0040	1.0040

Table 3

CAUTION: The pipetting procedure should be conducted in accordance with the rules described in sections 3 and 4.

Recalibration procedure:

- Set the dose volume depending on the pipetted volume according to Table 4.

Model	Range of the pipettes volumes $[\mu\text{l}]$	Preset volume $[\mu\text{l}]$	Permissible volumes $[\mu\text{l}]$
DP8-10, DP12-10	0.5-10	0.5	0.45-0.55
DP8-50, DP12-50	5-50	5	4.8-5.2
DP8-200, DP12-200	20-200	20	19.4-20.6
DP8-300, DP12-300	50-300	50	49.2-50.8

Table 4

- Perform 5 aspirations, weigh each one and calculate the average value of the aspirations.
- Calculate average aspirated volume in $[\mu\text{l}]$ by multiplying the average aspiration amount $[\text{mg}]$ by the distilled water density coefficient $[\mu\text{l}/\text{mg}]$, which depends on temperature and pressure (Table 3).
- If the average aspirated volume exceeds the permissible values, pipette recalibration should be conducted.

Pipette recalibration consists in setting the real value obtained during weighing on the counter. To do so, the following should be conducted:

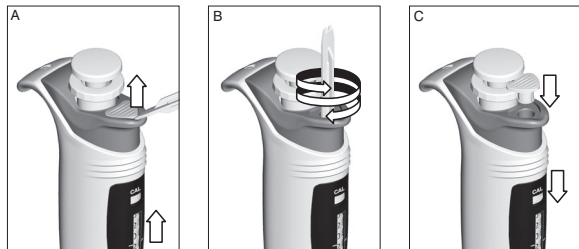


Fig. 5

- Remove the cap (fig. 1D) using the calibration key (fig. 5A),
- Set the calibration switch (fig. 1E) in its upper position (fig. 5A),
- Insert the calibration key into the ejector orifice (fig. 1C) and place it in the calibration screw of the counter (fig. 5B),
- Turn the key so as the volume indicated by the counter is equal to the average calculated volume.
- Remove the calibration key and set the calibration switch in its lower position (fig. 5C), thus going to the pipetting mode,
- Place the cap of the ejector pushbutton (fig. 5C).

After conducted the calibration procedure it is recommended to record recalibration.

CAUTION: Before calibration, the volume adjustment knob should be blocked. If the knob is shifted after switching the pipette on the calibration mode ("CAL"), calibration of the pipette will be changed without a visible change in settings of the counter.

6. MAINTENANCE

The pipette requires periodic maintenance, depending on the applications performed and intensity of use. The subassemblies subject to action of aggressive solution vapors, such as shafts elements, should be regularly inspected and cleaned.

External surfaces of the handgrip, knob and pushbuttons may be cleaned with a tissue dipped in isopropyl alcohol.

CAUTION: Before using cleaning agents other than those recommended by the manufacturer, check the compatibility charts and consider chemical resistance of the following plastics: PP, PC, POM, PA, PPS, PVDF used to produce the pipette parts.

The pipette can be sterilized in the autoclave at the temperature of 121°C for 20 minutes. After sterilization, the pipette should be dried and cooled down to room temperature. It is recommended to sterilize the pipettes in autoclave with initial vacuum and drying cycle.

CAUTION:

- Sterilization in other conditions may cause the damage of the pipette,
- Set the volume adjustment knob in its upper (unlocked) position before sterilization.

Repeatability of obtained results does not change if the pipette is operated properly and the autoclaving procedure is conducted appropriately. As there can be a slight change in the dosing accuracy it is recommended:

- To check calibration of the pipette after 1st, 3rd and 5th autoclaving procedures, and every 10 autoclaving cycles during further operation of the pipette.

The pipettes are UV resistant which was confirmed by our tests. The recommended distance from the radiation source to exposed element should be not less than 50 cm. Prolonged and very intense UV exposure can cause de-coloration of pipette parts, without affecting its performance.

7. TROUBLESHOOTING

If you notice an improper pipette operation, identify the cause and eliminate the fault. To do this, follow the instruction in the sequence provided. Replacement of parts should be required only occasionally, and should not occur under normal pipette use.

Problem	Cause	Instructions
Droplets of liquid remain in the pipette tips	The liquid is dispensed too fast	Decrease the dispensing speed
	The tips wettability has increased due to extensive use	Replace the tips with new ones
Air bubbles appear in the liquid aspirated into the tips	The pipette tips immersion is too shallow	Immerse the tips deeper according to the instruction
	The pipette tips are incorrectly pressed onto the pipette shafts	Press the tips firmly
	The tip is damaged or worn out due to extensive use	Replace the tips with new ones
The pipette incorrectly aspirates the liquid or the liquid drops out from the tips	The pipette tips are incorrectly pressed onto the pipette shafts	Press the tips firmly
	The shafts surface are damaged or contaminated at the sealing site	Clean the shafts or send the pipette for service in order to replace the shafts
	The plungers or the seals are damaged due to prolonged aspiration of aggressive liquids	Send the pipette for service
	The inside of the pipette is contaminated	
	No lubrication on the sealing elements	

Problem	Cause	Instructions
Uneven work of the pipetting set, the pipetting pushbutton gets blocked	The inside of the pipette is contaminated due to aspiration of aggressive substances	Send the pipette for service
	The inside of the pipette is contaminated due to the liquid entering the pipette	
	No lubrication on the sealing elements, e.g. after repeated autoclaving procedures	
Incorrect aspiration	Liquid with properties other than water (density, viscosity)	Calibrate the pipette using the liquid which is to be pipetted
	The volume adjustment knob used in the "CAL" mode	Calibrate the pipette according to section 5

If the problem continues after carrying out the above steps, contact your pipette supplier to conduct repairs.

CAUTION: Before returning the pipette, please ensure that the pipette is completely free of any aggressive chemical, radioactive, microbiological contamination which could pose a threat during transport and repair.

Clean the pipette as far as it is possible.

8. PIPETTE KIT

The pipettes are delivered in the kits including:

- Pipette
- Short instruction manual
- CD
- Calibration key
- Pipette stand

All rights reserved. Product described in this manual is subject to availability and technical modification. Errors excepted.

PZ HTL S.A. reserves the right to improve, enhance or otherwise modify its products without prior notification.

© 2015 PZ HTL S.A.

INHALTSVERZEICHNIS

1. EINLEITUNG

- 1.1 PRODUKTBESCHREIBUNG
- 1.2 SICHERHEITSHINWEISE
- 1.3 PARAMETER

2. FUNKTION DER PIPETTE

- 2.1 VOLUMENEINSTELLUNG
- 2.2 VORBEREITUNG DER PIPETTE

3. BENUTZUNGSHINWEISE

4. PIPETTIEREN

- 4.1 ANSAUGEN
- 4.2 AUSSTOSSEN
- 4.3 VORSPÜLEN
- 4.4 DICHTe FLÜSSIGKEITEN

5. REKALIBRIERUNG

6. WARTUNG DER PIPETTE

7. MÄNGELBEHEBUNG

8. KOMPLETTIERUNG

1. EINLEITUNG

Die **DISCOVERY PRO** Pipetten sind für allgemeinen Laboreinsatz vorgesehen. Pipetten können für die Messung und Übertragung von wässrigen Lösungen verwendet werden, Säuren, Laugen und Enzym-Assay-Anwendungen. Die vorhandenen Modelle decken den Bereich von 1 μl bis 300 μl ab.

Die **DISCOVERY PRO** Pipetten arbeiten auf Basis des Luftkissen-Prinzips, d. h. die angesaugte Flüssigkeit hat keinen Kontakt mit dem Schaft oder dem Kolben der Pipette. Die Flüssigkeit wird durch die eingesetzte Pipettenspitze aufgenommen.

Die Pipetten besitzen eine vierstellige Volumenanzeige. Die Volumeneinstellung erfolgt mittels des Drehknopfes (Abb. 1B). Die Konstruktion der Pipette ermöglicht es, das eingestellte Volumen zu blockieren.

1.1. PRODUKTBESCHREIBUNG

A. Pipettierdruckknopf

B. Volumendrehknopf

Für die Volumeneinstellung und Blockade des eingestellten Volumens.

C. Abwerferdruckknopf

D. Blende

Eingesetzt zur Absicherung der Kalibrierungsstelle, kann auch zur Identifizierung der Pipette des Benutzers dienen.

E. Kalibrierschalter

Schaltet die Pipette vom Betriebsmodus in den Kalibriermodus um.

F. Volumenzähler

Vierstelliger Volumenzähler zeigt den eingestellten Volumenwert an.

G. Zähleraufsatz

Auf dem Aufsatz ist der Volumenbereich entsprechend dem jeweiligen Pipettenmodell aufgedruckt.

H. Spitzenabwerfer

I. Schäfte

Hergestellt aus hochwertigem Werkstoff, der hohe chemische und mechanische Festigkeit gewährleistet.

J. Modul

Enthält eine Kolbeneinheit und eine Schafteinheit, die sich unabhängig voneinander verschieben.

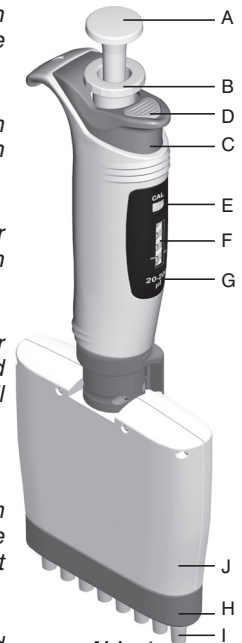


Abb. 1

Das Volumen der Pipetten ist durch die Farbe des Kalibrierschalters (Abb.1E) und der Blende (Abb.1D) je nach dem angewandten Spitzentyp gekennzeichnet.

Farbcodierung:

- Pipetten 10 μl - rot
- Pipetten 50 μl , 200 μl - gelb
- Pipetten 300 μl - grün

1.2. SICHERHEITSHINWEISE

Benutzte Symbole:

⚠️ WARNUNG! Verletzungsgefahr

ACHTUNG: Beschädigung der Pipette oder Messfehler möglich.

Die korrekte Funktion der Pipette hängt in großem Maße von der Einsatzart ab. Dazu lesen Sie bitte genau die Gebrauchsanweisung der Pipette und beachten Sie die dort angeführten Regeln.

ACHTUNG:

- Die Pipette wurde für die Übertragung von Flüssigkeit durch Pipettenspitzen entwickelt. Flüssigkeit darf ohne Spitzen nicht entnommen werden. Es darf niemals Flüssigkeit in die Pipette eintreten, weil dies Beschädigung der Pipette zur Folge haben kann.
- Benutzen Sie die Pipette nur mit Pipettenspitzen.
- Nur ein einmaliger Gebrauch von Pipettenspitzen garantiert die Sicherheit und schließt die Kontamination der entnommenen Flüssigkeit aus.
- Die Pipette niemals horizontal hinlegen, wenn sich Flüssigkeit in den Spitzen befindet.
- Die Pipette sauber halten, zur Reinigung keine aggressiven Stoffe (z.B. Aceton) verwenden.
- Um fehlerfreies Arbeiten zu gewährleisten, benutzen Sie die Pipette nur in Übereinstimmung mit den Angaben des Herstellers.
- Bei einer Fehlfunktion reinigen Sie die Pipette gemäß Herstellerangaben, oder schicken Sie sie an unsere Serviceabteilung.

⚠️ WARNUNG!

- Es sind die im Labor geltenden Arbeitssicherheitshinweise zu beachten.
- Aggressive Stoffe mit besonderer Vorsicht pipettieren. Verwenden Sie die Schutzausrüstung, Brille und Handschuhe.
- Pipette mit der Spitze, in der sich Flüssigkeit befindet, niemals gegen Menschen richten.
- Nur vom Hersteller empfohlene Ersatzteile und Zubehör verwenden.

1.3. PARAMETER

Die **DISCOVERY PRO** Pipetten sind hochwertige Laborgeräte, die eine hohe Genauigkeit und Präzision gewährleisten.

Die Genauigkeits- und Präzisionsfehler bei der Messung von Flüssigkeiten hängen von der Qualität der eingesetzten Spitzen ab. Die Fehler wurden unter Einsatz der HTL-Spitzen im gravimetrischen Prüfverfahren auf Basis von mindestens 10 Entnahmen von destilliertem Wasser mit einer Temperatur von $20^{\circ} \pm 1^{\circ} \text{C}$ gemäß der Norm EN ISO 8655 bestimmt.

Modell	Bestell-Nr.	Volumen [µl]	Genauigkeit [%]	Präzision [%]	Skalenteilung [µl]	Spitze [µl]
DP8-10 DP12-10	4951 4955	Min 0,5	$\pm 10,0$	$\pm 8,0$	0,01	10
		5	$\pm 4,0$	$\pm 2,0$		
		Max 10	$\pm 2,0$	$\pm 1,2$		
DP8-50 DP12-50	4952 4956	Min 5	$\pm 4,0$	$\pm 2,5$	0,05	200
		25	$\pm 3,0$	$\pm 1,2$		
		Max 50	$\pm 1,6$	$\pm 0,6$		
DP8-200 DP12-200	4953 4957	Min 20	$\pm 3,0$	$\pm 1,5$	0,2	300
		100	$\pm 1,5$	$\pm 0,8$		
		Max 200	$\pm 1,0$	$\pm 0,6$		
DP8-300 DP12-300	4954 4958	Min 50	$\pm 1,6$	$\pm 1,5$	0,5	300
		150	$\pm 1,2$	$\pm 1,0$		
		Max 300	$\pm 1,0$	$\pm 0,6$		

Tabelle 1

Nur die Anwendung der HTL-Spitzen garantiert die Genauigkeit der Messung (vgl. Tabelle oben).

Die Kalibrierung der Pipette kann vom Benutzer durchgeführt werden. Bitte beachten Sie hierzu die dargestellten Arbeitsschritte in Abschnitt 5.

2. FUNKTION DER PIPETTE

2.1. VOLUMENEINSTELLUNG

Die Volumeneinstellung erfolgt mittels des Volumendrehknopfes (Abb. 1B).

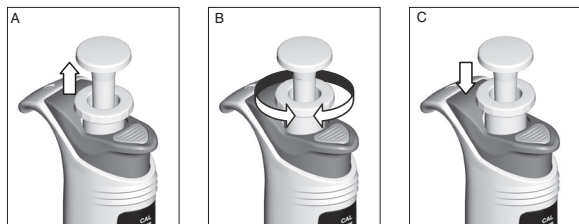


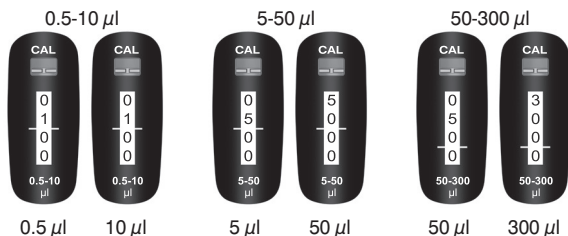
Abb. 2

Der Volumenbereich wird auf dem Zähleraufsatz (Abb. 1G) angegeben. Das Volumen wird durch den Zähler angezeigt und besteht aus vier Stellen, die von oben nach unten abzulesen sind. Die Ziffern an der unteren Trommel stellen eine Skalenteilung für das jeweilige Modell dar. Der Wert der Skalenteilung ist in der Tabelle 1 angegeben.

Die Volumenänderung ist nach der Einstellung des Drehknopfes in der oberen Position (Abb. 2A und 2B) möglich.

Nach der Einstellung des erwünschten Volumenwertes ist der Drehknopf (Abb. 1B) in die untere Stellung zu bringen, um den Einstellwert (Abb. 2C) zu verriegeln.

Beispiele:



Die Zähleranzeige über der horizontalen Markierung stellt das Volumen in μl dar.

Die höchste Genauigkeit wird erreicht, wenn von einem höheren Volumen ausgegangen und die Anzeige des Zählers so lange verringert wird, bis der gewünschte Wert erreicht ist.

Beispiel der korrekten Volumeneinstellung:

- Ist das gewünschte Volumen niedriger als der auf dem Zähler eingestellte Wert, sind die Anzeigen des Zählers

auf den gewünschten Wert zu reduzieren. Vor dem Erreichen der gewünschten Größe muss man die Drehgeschwindigkeit mit dem Drehknopf (Abb. 1B) verringern und darauf achten, dass das einzustellende Volumen nicht unterschritten wird.



Abb. 3

- Wenn das gewünschte Volumen höher ist als der eingestellte Wert, sollte der einzustellende Wert um ca. 1/3 Umdrehung überschritten werden. Anschließend die Einstellung durch langsames Drehen mit dem Drehknopf (Abb. 1B) auf den gewünschten Wert (Abb. 3) senken.

Nach der Einstellung des erwünschten Volumenwertes ist der Drehknopf (Abb. 1B) in die untere Stellung zu bringen, um den eingestellten Volumenwert (Abb. 2C) zu verriegeln.

ACHTUNG: Der über dem Zähler befindliche Kalibriererschalter (Abb. 1E) soll während des Betriebs in der unteren Stellung bleiben. Ansonsten führt jede Volumenänderung zur Entkalibrierung der Pipette.

2.2. VORBEREITUNG DER PIPETTE

Die Spitzen auf den Schaft aufstecken. Beim Aufstecken der Pipettenspitzen ist darauf zu achten, dass der Schaft ca. 1,5 mm nach oben verschoben wird. Die elastische Aufhängung gewährleistet, dass die Pipettenspitzen dicht auf dem Schaft aufsitzen. Die Pipette beim Aufstecken der Spitzen senkrecht halten. Die entsprechenden Spitzen für das jeweilige Pipettenmodell können Sie der Tabelle 1 entnehmen.

ACHTUNG:

- Es empfiehlt sich, die vom Hersteller empfohlenen Spitzen einzusetzen. Nur diese Spitzen gewährleisten genaue und reproduzierbare Ergebnisse.
- Niemals Flüssigkeit ohne Pipettenspitze aufnehmen.

3. BENUTZUNGSHINWEISE

Die folgenden Benutzungshinweise gewährleisten hohe Genauigkeit und Präzision der Messwerte:

- Der Volumeneinstellwert soll bei dem Einsatz der **DISCOVERY PRO**-Pipette verriegelt sein – Drehknopf in der unteren Stellung (Abb. 2C).

- Sicherstellen, dass mit dem Pipettierdruckknopf behutsam gearbeitet wird.
- Die Eintauchtiefe der Spitzen in der zu entnehmenden Flüssigkeit soll bei 2 bis 4 mm liegen.
- Die Pipette beim Einsatz senkrecht halten.
- Neue Spitzen sollen vorgespült werden.
- In folgenden Fällen sollte die Pipettenspitze ausgetauscht werden:
 - Wechsel der dosierten Flüssigkeit,
 - Wechsel des Volumens der dosierten Flüssigkeit,
 - In der Pipette verbleiben Flüssigkeitstropfen.
- Es darf niemals Flüssigkeit in den Pipettenschaft eintreten. Um dies zu vermeiden:
 - den Druckknopf behutsam herunterdrücken und loslassen,
 - die Pipette niemals hinlegen, wenn sich Flüssigkeit in den Spitzen befindet,
 - die Pipette stets senkrecht halten,
 - keine größeren Volumina entnehmen als Nennvolumina.
- Vor dem Pipettieren von Flüssigkeiten mit anderen Temperaturen als die Umgebungstemperatur die Spitzen mehrmals vorspülen.

- Die Pipette senkrecht halten und die Spitzen ca. 2-4 mm tief in die zu entnehmende Flüssigkeit eintauchen und vorspülen, indem man die Flüssigkeit langsam und gleichmäßig entnimmt und entleert. Bei geringerer Eintauchtiefe der Pipettenspitzen als empfohlen oder bei einem zu schnellen Loslassen des Pipettierknopfes kann Luft aufgenommen werden.
- Den Druckknopf langsam loslassen, um die Probe anzusaugen (Abb. 4B).
- Eine Sekunde lang warten und dann die Pipette aus der Flüssigkeit herausnehmen.

⚠️ WARNUNG! Benutzte Spitzen sollten nicht mit der Hand berührt werden.

4.2 AUSSTOßEN

- Die Enden der Spitzen in einem Winkel von 10 bis 40 Grad gegen die Innenwand des Gefäßes halten.
- Den Druckknopf langsam bis zum ersten Druckpunkt herunterdrücken (Abb. 4C).
- Eine Sekunde lang warten. Den Druckknopf bis zum zweiten Druckpunkt herunterdrücken, um restliche Flüssigkeit auszustoßen (Abb. 4D).
- Die Pipette mit ganz gedrücktem Druckknopf herausnehmen, in dem die Spitzen an der Innenwand des Gefäßes entlang gezogen werden.
- Den Pipettier-Druckknopf in die anfängliche Position (Abb. 4E) loslassen und die Spitzen durch Eindrücken des Druckknopfes des Abwerfers abwerfen (Abb. 4F).

ACHTUNG: Beim Wechsel der dosierten Flüssigkeit muss die Spitze ausgetauscht werden.

4.3 VORSPÜLEN

Beim Dosieren von Flüssigkeiten, die eine höhere Viskosität oder eine niedrigere Oberflächenspannung haben als Wasser (z.B. Serum oder organische Lösungsmittel), bildet sich ein Flüssigkeitsfilm auf der Innenseite der Pipettenspitzen. Dieser Film kann zu Messfehlern führen. Da die Benetzung bei aufeinander folgenden Pipettierungen mit der selben Pipettenspitze relativ konstant bleibt, kann der Messfehler durch Benetzung der Spitze vor der ersten Probenentnahme vermieden werden. Dazu wird eine Probe angesaugt und wieder in dasselbe Gefäß ausgestoßen. Da sich der Film bereits

4. PIPETTIEREN

4.1 ANSAUGEN

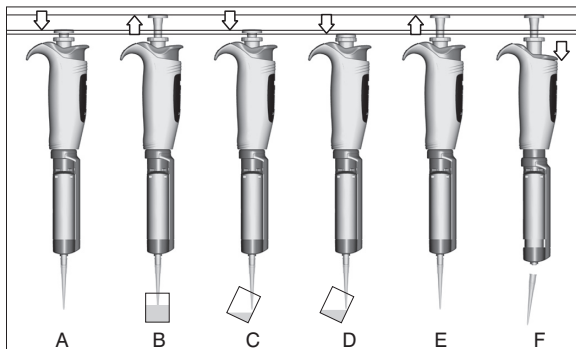


Abb. 4

- Den Pipettier-Druckknopf (Abb. 1A) bis zum ersten Druckpunkt eindrücken, (Abb. 4A).

gebildet hat, werden alle folgenden Proben eine höhere Genauigkeit und Wiederholbarkeit aufweisen.

4.4 DICHTe FLÜSSIGKEITEN

Die in der Tabelle 1 angegebenen Werte für Genauigkeit und Präzision beziehen sich auf destilliertes Wasser. Für Flüssigkeiten, die sich in ihren Eigenschaften (Dichte, Viskosität, Oberflächenspannung) erheblich vom Wasser unterscheiden, muss die Volumeneinstellung gegebenenfalls korrigiert werden.

ACHTUNG: Ungenauigkeiten bei der Entnahme können vermieden werden, indem die Pipettierung langsam durchgeführt wird. Es empfiehlt sich nach Entnahme bzw. nach Ausstoßen der Flüssigkeit ca. 2 Sekunden zu warten, um die unterschiedliche Eigenschaft der Flüssigkeit auszugleichen.

Falls die oben genannte Vorgehensweise keine genauen Ergebnisse sichert, ist die Pipette gemäß Abschnitt 5 zu rekalisieren.

Nach der Kalibrierung empfiehlt es sich, die vorgenommene Kalibrierung und den eingeführten Korrekturwert zu protokollieren, was eine Rückkalibrierung zur Standardflüssigkeit erleichtert.

5. REKALIBRIERUNG

Die **DISCOVERY PRO**-Pipetten werden gravimetrisch unter Einsatz von HTL-Spitzen und destilliertem Wasser in einer Temperatur von $20^{\circ} \pm 1^{\circ} \text{C}$ gemäß EN ISO 8655 kalibriert.

Es empfiehlt sich, die Messwerte der Pipette periodisch zu prüfen, wobei die Einsatzzeiten der Pipette ohne Prüfung von der Art der Beanspruchung (entnommene Flüssigkeiten) und sonstigen Einsatzbedingungen (Intensität der Beanspruchung und Sterilität im Autoklav, Austausch von Baugruppen) abhängig ist.

Die Rekalibrierung der Pipette erfolgt dann, wenn beim Einsatz der Pipette festgestellt wird, dass der Genauigkeitsfehler (Unterschied zwischen dem entnommenen und dem eingestellten Ist-Volumen) die in der Tabelle 1 angegebenen zulässigen Werte überschreitet.

Die Entnahmefähigkeit der Pipette wird unter anderen durch folgende Faktoren beeinflusst: eingesetzte Pipettenspitzen, Charakteristik der zu pipettierenden Flüssigkeit (Dichte, Viskosität) und Arbeitsbedingungen (Umgebungstemperatur, Druck).

Prüfung der Parameter der Pipette

Für die Ermittlung des Genauigkeitsfehlers der Pipette sollen folgende Bedingungen erfüllt werden:

- Die Temperatur der Umgebung, der Pipette, der Spitzen und der Testflüssigkeit (standardmäßig destilliertes Wasser) soll im Bereich von 20 bis 25°C liegen und beim Wiegen im Bereich $\pm 0.5^{\circ} \text{C}$ stabilisiert werden.
- Die Empfindlichkeit der Waage muss dem geprüften Volumen entsprechen (Tabelle 2).
- In der Tabelle 3 sind Umrechnungswerte $[\text{mg}/\mu\text{l}]$ für destilliertes Wasser oder eine Flüssigkeit mit vergleichbarer Dichte angegeben.

Volumen $[\mu\text{l}]$	0.1 - 10	10 - 100	> 100
Genauigkeit der Waage $[\text{mg}]$	≤ 0.001	≤ 0.01	≤ 0.1

Table 2

Temperatur $[\text{C}]$	Druck $[\text{kPa}]$		
	95	101.3	105
20	1.0028	1.0029	1.0029
21	1.0030	1.0031	1.0031
22	1.0032	1.0033	1.0033
23	1.0034	1.0035	1.0036
24	1.0037	1.0038	1.0038
25	1.0039	1.0040	1.0040

Tabelle 3

ACHTUNG: Die Pipettierung soll entsprechend den im Abschnitt 3 und 4 beschriebenen Hinweisen erfolgen.

Verfahrensweise bei der Rekalibrierung

- Dosisvolumen je nach dem Volumen der Pipette gemäß der Tabelle 4 einstellen.

Modell	Volumen $[\mu\text{l}]$	Eingestelltes Volumen $[\mu\text{l}]$	Volumen Werte $[\mu\text{l}]$
DP8-10, DP12-10	0.5-10	0.5	0.45-0.55
DP8-50, DP12-50	5-50	5	4.8-5.2
DP8-200, DP12-200	20-200	20	19.4-20.6
DP8-300, DP12-300	50-300	50	49.2-50.8

Table 4

- Fünf Entnahmen vornehmen, diese jedes Mal wiegen und den Mittelwert der Ergebnisse berechnen.

- Das mittlere entnommene Volumen in [μ l] berechnen, indem der Mittelwert der Entnahmen in [mg] durch den temperatur- und druckabhängigen Dichtekoeffizienten des destillierten Wassers [μ l/mg] (Tabelle 3) multipliziert wird.
- Wenn das mittlere entnommene Volumen über den zulässigen Werten liegt, ist die Pipette zu recalibrieren. Die Rekalibrierung der Pipette beruht auf der Einstellung des beim Wiegen erhaltenen Ist-Wertes am Zähler. Dazu ist Folgendes vorzunehmen:

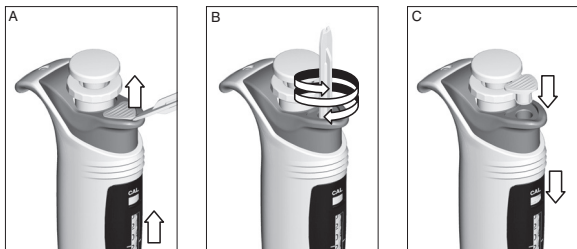


Abb. 5

- Blende (Abb. 1D) mit dem Kalibrierschlüssel (Abb. 5A) abnehmen.
- Den Kalibrier-Drehknopf (Abb. 1E) in die obere Position bringen (Abb. 5A).
- Den Kalibrierschlüssel in die Öffnung im Druckknopf des Abwerfers (Abb. 1C) einstecken und in der Kalibrierschraube des Zählers platzieren (Abb. 5B).
- Den Schlüssel so drehen, dass das am Zähler angezeigte Volumen dem berechneten mittleren Volumenwert entspricht.
- Den Kalibrierschlüssel herausnehmen und den Kalibrier-Drehknopf in die untere Stellung bringen (Abb. 5C) und die Pipettierung durchführen.
- Den Aufsatz des Druckknopfes des Abwerfers aufsetzen (Abb. 5C).

Die durchgeführte Kalibrierung ist zu protokollieren.

ACHTUNG: Vor der Kalibrierung soll der Drehknopf für die Volumeneinstellung gesperrt sein. Die Umstellung des Drehknopfes nach der Umschaltung der Pipette in den Kalibriermodus ("CAL") führt zur Änderung der Pipettenkalibrierung ohne sichtbare Änderung der Zählereinstellungen.

6. WARTUNG DER PIPETTE

Je nach der Einsatzart und -intensität erfordert die Pipette periodische Wartung. Teile, die der Wirkung der Dämpfe aggressiver Lösungen besonders ausgesetzt sind, wie etwa die Elemente des Schaftes, sollten regelmäßig geprüft und gereinigt werden.

Die Oberflächen des Handgriffs, des Abwerfers, des Drehknopfes, der Druckknöpfe und der Schäfte kann man mit einem mit Isopropanol getränkten Tuch reinigen.

ACHTUNG: Vor dem Einsatz von anderen Reinigungs-mitteln als vom Hersteller empfohlen, nehmen Sie bitte Einsicht in die Tabellen für die Verträglichkeit von Werkstoffen, aus denen die Pipettenteile ausgeführt sind: PP, PC, POM, PA, PPS, PVDF.

Die Pipette kann vollständig im Autoklaven bei einer Temperatur von 121°C 20 Minuten lang sterilisiert werden. Nach der durchgeführten Sterilisation soll die Pipette getrocknet und auf Raumtemperatur abgekühlt werden. Es empfiehlt sich, die Pipetten im Autoklaven mit dem Vorvakuum- und Trocknungszyklus zu sterilisieren.

ACHTUNG:

- Die Sterilisation unter abweichenden Bedingungen kann zur Beschädigung der Pipette führen.
- Vor der Sterilisation Drehknopf für die Volumeneinstellung in die obere Position bringen (entriegelt).

Bei ordnungsgemäßer Nutzung und korrekt durchgeführtem Autoklavierprozess ändert sich die Reproduzierbarkeit der erzielten Ergebnisse nicht. Da unerhebliche Änderungen der Dosiergenauigkeit auftreten können, empfiehlt es sich:

- die Kalibrierung der Pipetten nach der 1, 3 und 5. Autoklavierung sowie alle 10 Autoklavierzyklen während der Nutzungsdauer der Pipette zu prüfen.

Die Pipetten sind gegen UV-Strahlung beständig, was durch unsere Tests bestätigt wurde. Der empfohlene Abstand zwischen der Strahlungsquelle und dem bestrahlten Element sollte mindestens 50 cm betragen. Zu lang andauernde, intensive Bestrahlung kann eine geringe Änderung der Ästhetik farbiger Elemente des Pipetten verursachen, ohne die Parameter des Pipetten zu beeinflussen.

7. MÄNGELBEHEBUNG

Wenn die Pipette fehlerhaft arbeitet, muss die Ursache geprüft und der Fehler beseitigt werden. Bei der Beseitigung des Fehlers muss man entsprechend der in der Bedienungsanleitung angegebenen Reihenfolge vorgehen. Der Austausch von Teilen soll als letzte Maßnahme in Betracht gezogen werden, denn bei einem sachgemäßen Gebrauch treten solche Mängel nicht auf.

Problem	Ursache	Maßnahme
In der Pipettenspitze verbleiben Flüssigkeitstropfen	Zu schneller Ausstoß der Flüssigkeit	Den Ausstoß verlangsamen
	Erhöhte Benetzbarkeit der Pipettenspitze, verursacht durch häufigen Gebrauch	Die Pipettenspitzen gegen eine neue austauschen
Luftbläschen in der entnommenen Flüssigkeit	Zu geringe Eintauchtiefe der Spitzen	Die Pipettenspitzen tiefer eintauchen, gemäß der Bedienungsanleitung
	Die Pipettenspitzen sitzen zu locker auf dem Schaft	Die Pipettenspitzen stärker auf den Schaft drücken
	Die Pipettenspitzen sind beschädigt oder wurden zu häufig gebraucht	Die Pipettenspitzen gegen eine neue austauschen
Fehlerhafte Entnahme der Flüssigkeit oder die Flüssigkeit tropft aus der Pipettenspitze	Die Pipettenspitzen sitzen zu locker auf dem Schaft	Die Pipettenspitzen stärker auf den Schaft drücken
	Beschädigte oder verschmutzte Schaftoberflächen an der Abdichtung	Die Schäfte reinigen oder gegebenenfalls den Schaft vom Servicedienst austauschen lassen

Problem	Ursache	Maßnahme
Fehlerhafte Entnahme der Flüssigkeit oder die Flüssigkeit tropft aus der Pipettenspitze	Beschädigung des Kolbens oder der Pipettendichtung, verursacht durch häufige Entnahme von aggressiven Flüssigkeiten	Die Pipette an den Servicedienst schicken
	Die Pipette ist innen verschmutzt	
	Auf den Dichtungselementen befindet sich kein Schmierfett	
Ungleichmäßige Arbeit der Pipettierreinheit, der Pipettier-Druckknopf blockiert	Verunreinigung des Pipetteninneren durch die Entnahme aggressiver Stoffe	Die Pipette mit der zu pipettierenden Flüssigkeit kalibrieren
	Verunreinigung des Pipetteninneren durch eingedrungene Flüssigkeit	
	Auf den Dichtungselementen befindet sich kein Schmierfett, z.B. nach mehrmaliger Autoklavierung	
Fehlerhafte Entnahme	Flüssigkeit mit anderen Eigenschaften als die von Wasser (Dichte, Viskosität)	Die Pipette gemäß Abschnitt 5 kalibrieren
	Der Drehknopf für die Volumeneinstellung wurde im CAL-Modus genutzt	Die Pipette gemäß Abschnitt 5 kalibrieren

Wenn die Ausführung der angeführten Hinweise die fehlerhafte Funktion der Pipette nicht verbessert, kontaktieren Sie bitte den Lieferanten der Pipette.

ACHTUNG: Vor dem Versand muss geprüft werden, ob die Pipette nicht mit aggressiven chemischen, radioaktiven oder mikrobiologischen Reagenzien verunreinigt ist, die eine Gefahr während des Transports und der Instandsetzung darstellen können. Pipetten dürfen nur in dekontaminiertem Zustand verschickt werden.

8. KOMPLETTIERUNG

Die Pipetten sind mit folgenden Komponenten geliefert:

- Pipette
- Kurz Bedienungsanleitung
- CD
- Kalibrierschlüssel
- Ständer für Pipetten

Alle Rechte vorbehalten. Die in der vorliegenden Anweisung beschriebenen Produkte sind in begrenztem Umfang erhältlich und unterliegen technischen Änderungen. Die Fehler sind zulässig.

PZ HTL S.A. behält sich das Recht vor, Verbesserungen oder ähnliche Modifizierungen seiner Produkte ohne vorherige Mitteilung vorzunehmen.

© 2015 PZ HTL S.A.

SOMMAIRE

1. GENERALITES

1.1 DESCRIPTION DU PRODUIT

1.2 CONSIGNES DE SECURITE

1.3 PARAMETRES

2. UTILISATION DE LA PIPETTE

2.1 REGLAGE DU VOLUME

2.2 PREPARATION DE LA PIPETTE A L'UTILISATION

3. RECOMMANDATIONS

4. ASPIRATION ET DISTRIBUTION DU LIQUIDE

4.1 ASPIRATION DU LIQUIDE

4.2 DISTRIBUTION DU LIQUIDE

4.3 PRE-RINCAGE DES CÔNES

4.4 ASPIRATION DES SOLUTIONS DENSES

5. RECALIBRAGE

6. ENTRETIEN DE LA PIPETTE

7. ELIMINATION DE PETITS DEFAUTS

8. CONTENU DE L'MBALLAGE

1. GENERALITES

Les pipettes **DISCOVERY PRO** sont destinées à un usage général au laboratoire.

Pipettes peuvent être utilisés pour la mesure et le transfert de solutions aqueuses, acides, bases et les applications des tests enzymatiques. Ces pipettes à volume variable couvrent la gamme de 1 μ l à 300 μ l en 8 modèles.

Les pipettes **DISCOVERY PRO** fonctionnent selon le principe d'un coussin d'air. Cela veut dire que le liquide prélevé n'est pas en contact avec l'embout porte-cône, ni avec le piston-assemble. Le liquide est prélevé avec des cônes à usage unique montés sur la pipette.

Les pipettes sont équipées d'un voltmètre numérique à 4 caractères. Il indique le volume mesuré et le réglage du volume à prélever s'effectue avec la vis de réglage. (fig. 1B). La construction de la pipette permet de bloquer le volume réglé.

1.1. DESCRIPTION DU PRODUIT

A. Bouton poussoir de pipetage

B. Vis de réglage du volume

Permet de régler le volume et de bloquer le volume réglé.

C. Ejector button

D. Cache

Permet de protéger l'espace de calibrage. Egalement, il peut faciliter l'identification de la pipette par l'utilisateur.

E. Bouton de calibrage

Permet de commuter la pipette du mode de travail en mode de calibrage.

F. Compteur de volume

Ce compteur à 4 caractères indique le volume réglé

G. Plaquette du compteur

La plaquette indique l'intervalle de volume imprimé, selon le modèle de la pipette.

H. Ejecteur des cônes

I. Embout porte-cônes

Faits en plastique de qualité. Ils assurent une excellente résistance chimique et mécanique.

J. Module

Comprend les pistons-assemble et les embouts porte-cônes.

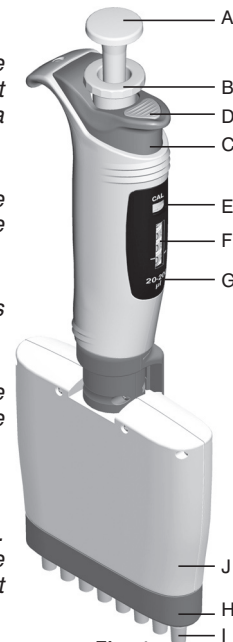


Fig. 1

Le volume des pipettes est identifié par la couleur du bouton de calibrage (fig. 1E) et du cache (fig. 1D) en fonction du type de cônes utilisé.

Couleurs utilisées:

pipettes 10 μ l - rouge

pipettes 50 μ l, 200 μ l - jaune

pipettes 300ul - vert

1.2. CONSIGNES DE SECURITE

Symboles utilisés:

⚠ AVERTISSEMENT! Risque des lésions.

ATTENTION: Endommagement possible du pipettor ou apparition des erreurs de mesure.

La longévité et le fonctionnement correct de la pipette dépendent, dans une grande mesure, de la manière de son utilisation. Veuillez lire attentivement la notice d'utilisation et appliquer ses dispositions.

ATTENTION:

- La pipette est conçue pour transférer les liquides uniquement dans les cônes. Il ne faut pas prélever de liquide avec la pipette sans cônes. Le liquide prélevé ne doit pas pénétrer à l'intérieur de la pipette car ceci pourrait endommager la pipette.
- Utilisez uniquement la pipette avec les cônes.
- L'usage unique des cônes garantit la sécurité et élimine la possibilité de pollution du liquide prélevé.
- Ne pas mettre la pipette à plat lorsque les cônes contiennent du liquide.
- Conserver la pipette en état de propreté et ne pas utiliser de substances agressives pour la nettoyer (par exemple, l'acétone),
- Après le remplacement du piston-assemble, il faut calibrer la pipette.
- En cas de mauvais fonctionnement du pipeteur, nettoyer la pipette en suivant scrupuleusement les instructions données ou envoyer au représentant du service.

⚠ AVERTISSEMENT!

- Il faut respecter les règles de sécurité en vigueur au laboratoire.
- Il faut agir avec précaution lors du pipetage des substances agressives. Utilisation équipements de protection, lunettes et gants.
- Ne jamais orienter la pipette avec le cône installé vers soi-même ou vers d'autres personnes lorsque le cône contient du liquide.
- Il faut utiliser uniquement des pièces détachées et des accessoires recommandés par le fabricant.

1.3. PARAMETRES

Les pipettes **DISCOVERY PRO** sont des instruments de précision qui offrent une exactitude et une fidélité excellentes.

Les erreurs de exactitude et de fidélité des mesures du liquide dépendent de la qualité des cônes utilisés. Les erreurs ont été définies avec les cônes HTL par une méthode gravimétrique avec au moins 10 aspirations de l'eau distillée à une température de $20^{\circ} \pm 1^{\circ} \text{C}$ selon la norme EN ISO 8655.

Modèles	Référence	Volume [μl]	Exactitude [%]	Fidélité [%]	Echelon [μl]	Cônes [μl]
DP8-10 DP12-10	4951 4955	Min 0,5	± 10,0	± 8,0	0,01	10
		Max 10	± 2,0	± 1,2		
DP8-50 DP12-50	4952 4956	Min 5	± 4,0	± 2,5	0,05	200
		Max 50	± 3,0	± 1,2		
DP8-200 DP12-200	4953 4957	Min 20	± 3,0	± 1,5	0,2	300
		Max 200	± 1,5	± 0,8		
DP8-300 DP12-300	4954 4958	Min 50	± 1,6	± 1,5	0,5	300
		Max 300	± 1,2	± 1,0		

Tableau 1

Seule l'utilisation des cônes **HTL** vous garantit une précision des mesures au niveau indiqué dans le tableau ci-dessus.

La construction de la pipette permet à l'utilisateur de recalibrer la pipette selon les principes présentés dans le chapitre 5.

2. UTILISATION DE LA PIPETTE

2.1. REGLAGE DU VOLUME

Le réglage du volume s'effectue avec la vis de réglage de volume (fig. 1B).

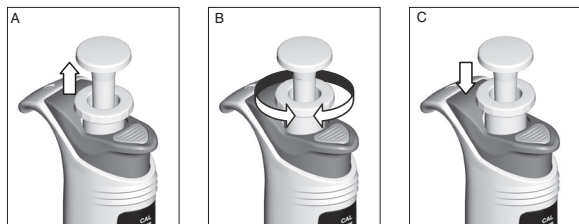


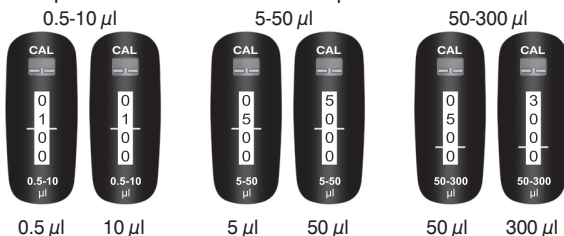
Fig. 2

L'échelle du volume est indiquée sur la plaquette du compteur (fig. 1G). Le volume est indiqué par le volumétrie sous forme de quatre chiffres lus du haut vers le bas. Le chiffre sur le barillet du compteur le plus bas indique l'échelon du modèle donné. Sa valeur est présentée dans le Tableau 1.

Pour modifier le volume, il faut placer la vis de réglage en position haute (fig. 2 A et 2B).

Après avoir réglé le volume demandé, il faut tourner la vis de réglage (fig. 1B) en position inférieure, afin de bloquer le réglage (fig. 2C).

Exemples des indications du compteur:



Les indications des compteurs au-dessus des indicateurs horizontaux présentent le volume en [µl].

Pour obtenir une précision maximale, le volume demandé doit être réglé à partir d'un volume plus élevé, par la réduction des valeurs sur le compteur.

Exemples de réglage correct du volume :

- Si le volume demandé est inférieur à la valeur réglée sur le compteur, il faut réduire la valeur sur le compteur jusqu'à la valeur demandée. Avant d'arriver à la valeur demandée, il faut réduire la vitesse de rotation de la vis (fig. 1B) et faire attention à ne pas

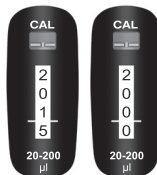


Fig. 3

dépasser la valeur à régler (fig 3).

- Si le volume demandé est supérieur à la valeur réglée sur le compteur, il faut augmenter la valeur du compteur jusqu'à une valeur supérieure au volume demandé d'environ 1/3 de tour du barillet le plus bas. Ensuite, en tournant lentement la vis (fig. 1B), il faut réduire la valeur réglée jusqu'à la valeur demandée (fig. 3).

Après avoir réglé le volume demandé, il faut tourner la vis de réglage (fig. 1B) en position inférieure, afin de bloquer le réglage (fig. 2C).

ATTENTION: Le bouton de calibrage (fig. 1 E) situé au-dessus du compteur doit se trouver, pendant le travail, en position basse. Dans le cas contraire, chaque changement du volume provoquera un décalibrage de la pipette.

2.2. PREPARATION DE LA PIPETTE A L'UTILISATION

Montez les cônes sur les embouts porte-cône. Pendant l'installation des cônes sur les embouts porte-cône appuyez la pipette sur les cônes dans la boîte jusqu'à ce que les cônes entrent dans les embouts d'environ 1,5 mm. La suspension souple des embouts porte-cône assure l'étanchéité des cônes sur les embouts sans qu'un mouvement latéral soit nécessaire. Pendant l'installation des cônes tenez la pipette en position verticale. Reportez-vous au Tableau 1 pour le choix du cône.

ATTENTION:

- Seuls les cônes recommandés par le fabricant garantissent l'exactitude et la répétabilité du liquide prélevé.
- Ne jamais prélever le liquide sans cônes montés sur la pipette.

3. RECOMMANDATIONS

Les recommandations ci-dessous permettront d'obtenir les meilleures performances d'exactitude et de répétabilité de prélèvement des liquides.

- Pendant l'utilisation de la pipette **DISCOVERY PRO**, le réglage du volume doit être bloqué – la vis de réglage doit être tournée vers le bas (fig. 2C).
- La pipette est équipée d'un commutateur du mode de travail du compteur – un bouton de calibrage (fig. 1 E). Ce bouton doit être déplacé uniquement pour la durée du calibrage de la pipette (position haute marquée "CAL").

- Le mouvement du bouton poussoir de pipetage, pendant le prélèvement et la distribution du liquide, doit être lent et régulier.
- La profondeur d'immersion du cône dans le liquide doit être de 2 à 4 mm.
- Pendant l'utilisation, il faut maintenir la pipette en position verticale.
- Chaque nouveau cônes doit être pré-rincé.
- Il faut remplacer les cônes dans les cas suivants :
 - changement de liquide à prélever,
 - changement de volume du liquide à prélever,
 - présence des gouttes visibles dans les cônes.
- Le liquide ne doit jamais entrer dans l'embout porte-cône de la pipette. Pour l'éviter :
 - presser et relâcher le bouton poussoir lentement et régulièrement,
 - ne jamais poser la pipette à plat lorsque les cônes contiennent du liquide,
 - ne jamais retourner la pipette,
 - ne jamais régler, ni prélever de volumes supérieurs aux valeurs nominales.
- Lors de pipetage de solutions dont la température est différente de la température ambiante, il faut rincer les cônes plusieurs fois en utilisant le liquide à prélever.

- Presser le bouton poussoir (fig. 1A), jusqu'à la première butée (fig. 4A),
- Tout en maintenant la pipette verticale, plonger l'extrémité des cônes dans le liquide à prélever sur une profondeur de 2 à 4 mm et les rincer une fois en prélevant et en éjectant les doses du liquide par un mouvement lent et continu. Après l'immersion du cône sur une profondeur inférieure à la profondeur recommandée ou lors d'une libération trop rapide du bouton poussoir une certaine quantité d'air pourrait être absorbée par les cônes.
- Relâcher lentement et régulièrement le bouton poussoir pour aspirer le liquide dans les cônes (fig. 4B).
- Attendre une seconde avant de retirer le cône du liquide.

⚠ AVERTISSEMENT! Prendre soin de ne pas toucher un cône use.

4.2 DISTRIBUTION DU LIQUIDE

- Tenir la pipette inclinée de 10 à 40° et placer l'extrémité du cône contre la paroi du tube récepteur.
- Ensuite doucement presser le bouton poussoir jusqu'à la première butée, ce qui provoque la distribution du liquide (fig. 4C).
- Attendre une seconde et presser complètement le bouton poussoir jusqu'à la première butée afin d'expulser la dernière fraction liquide des cônes (fig. 4D).
- Tout en maintenant le bouton poussoir complètement enfoncé, retirez la pipette en glissant les cônes le long de la paroi du tube récepteur.
- Relâcher complètement le bouton poussoir (fig. 4E) et éjecter les cônes en pressant le bouton de commande de l'éjecteur (fig. 4F).

ATTENTION: Si vous changez de liquide, n'oubliez pas de remplacer les cônes par nouveau.

4.3 PRE-RINCAGE DES CÔNES

Lors du pipetage de solutions dont la viscosité et la densité sont différentes de celles de l'eau (telles que les sérums ou les solvants organiques), une certaine rétention de liquide peut s'observer sur la paroi interne des cônes. Ce film peut provoquer une erreur. Cependant, une fois formé, il reste relativement constant d'un pipetage à l'autre avec le mêmes cônes. L'erreur peut

4. ASPIRATION ET DISTRIBUTION DU LIQUIDE

4.1 ASPIRATION DU LIQUIDE

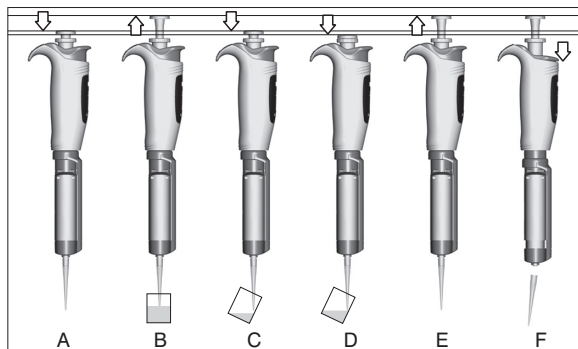


Fig. 4

donc être évitée en formant le film de la première manipulation de l'échantillon. Dans ce but, il faut aspirer et redistribuer le liquide dans le même récipient. Une fois le film en place dans les cônes, les pipetages suivants auront une meilleure exactitude et répétabilité.

4.4 ASPIRATION DES SOLUTIONS DENSES

Les erreurs d'exactitude et de répétabilité, indiquées au Tableau 1, ont été obtenues avec de l'eau distillée. Lors du pipetage des liquides dont les propriétés (densité, viscosité, tension superficielle) sont différentes de celles de l'eau, une compensation de réglage du volume peut s'avérer nécessaire.

ATTENTION: Il est possible d'éviter les différences de prélèvement grâce à un pipetage lent qui permet au liquide aspiré de suivre les variations de la pression. Après chaque aspiration et distribution, il faut attendre environ 2 secondes sans bouger la pipette.

Si cette méthode ne permet pas d'obtenir de résultats précis, il faut procéder au recalibrage de la pipette, en suivant les principes du chapitre 5.

Après le recalibrage, il est recommandé d'enregistrer le recalibrage et la compensation appliquée, afin de faciliter le recalibrage d'origine avec le liquide de référence.

5. RECALIBRAGE

Les pipettes **DISCOVERY PRO** sont calibrées par la méthode gravimétrique avec l'utilisation des cônes HTL et de l'eau distillée, à une température de $20 \pm 1^\circ\text{C}$, conformément à la norme EN ISO 8655.

Il est recommandé de procéder à une vérification périodique du fonctionnement de la pipette. La durée de l'utilisation de la pipette entre les vérifications dépend de la charge (liquide) et d'autres conditions (intensité d'exploitation et de stérilisation dans un autoclave, remplacement des pièces détachées) dans lesquelles la pipette est utilisée.

Si vous constatez, pendant l'utilisation de la pipette, que l'erreur de précision (différence entre le volume réel prélevé et le volume réglé) dépasse les valeurs admissibles indiquées dans le Tableau 1, il faut procéder au recalibrage de la pipette.

L'aspiration de la pipette est influencée par des facteurs tels que les cônes utilisés, les propriétés du liquide

pipeté (densité, viscosité) ou les conditions du travail (température ambiante, pression).

Vérification des paramètres de la pipette

Afin de déterminer l'erreur de précision, il faut s'assurer que les conditions ci-dessous sont réunies :

- La température ambiante, celle de la pipette, du cône et du liquide de référence (en principe l'eau distillée) doit être de 20 à 25°C et elle doit être stabilisée pendant le pesage avec une précision de $\pm 0.5^\circ\text{C}$,
- La sensibilité de la balance doit être adaptée au volume à vérifier (Tableau 2),

Volume [μl]	0.1 - 10	10 - 100	> 100
Sensibilité de la balance [mg]	≤ 0.001	≤ 0.01	≤ 0.1

Tableau 2

Température [$^\circ\text{C}$]	Pression [kPa]		
	95	101.3	105
20	1.0028	1.0029	1.0029
21	1.0030	1.0031	1.0031
22	1.0032	1.0033	1.0033
23	1.0034	1.0035	1.0036
24	1.0037	1.0038	1.0038
25	1.0039	1.0040	1.0040

Tableau 3

- Le tableau 3 présente les facteurs de conversion [$\text{mg}/\mu\text{l}$] pour l'eau distillée ou un autre liquide à densité comparable).

ATTENTION: Le pipetage doit être effectué selon les principes décrits aux chapitres 3 et 4.

Méthode de recalibrage

- Fixer le volume de la dose selon la capacité de la pipette, conformément au Tableau 4,

Modèle	Capacité de la pipette [μl]	Volume fixé [μl]	Valeurs admissibles [μl]
DP8-10, DP12-10	0.5-10	0.5	0.45-0.55
DP8-50, DP12-50	5-50	5	4.8-5.2
DP8-200, DP12-200	20-200	20	19.4-20.6
DP8-300, DP12-300	50-300	50	49.2-50.8

Tableau 4

- Effectuer 5 prélèvements, pesez-les à chaque fois et calculez la moyenne de ces prélèvements,
- Calculer le volume moyen prélevé en $[\mu\text{l}]$, en multipliant la moyenne des prélèvements $[\text{mg}]$ par le coefficient de la densité de l'eau distillée $[\mu\text{l}/\text{mg}]$ qui dépend de la température et de la pression (Tableau 3),
- Si le volume prélevé moyen dépasse les valeurs admissibles, il faut procéder au recalibrage.

Le recalibrage de la pipette consiste à régler sur le compteur la valeur réelle obtenue par le pesage. Dans ce but, il faut effectuer les opérations suivantes:

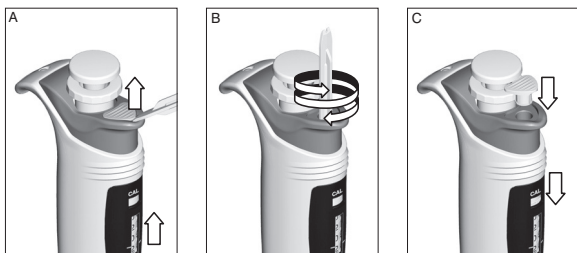


Fig. 5

- Enlever le cache (fig. 1D) en utilisant la clé de calibrage (fig. 5A),
- Mettre le commutateur de calibrage (fig. 1E) en position supérieure (fig. 5A),
- Insérer la clé de calibrage à l'orifice du bouton d'éjecteur (fig. 1C) et la placer dans la vis de calibrage du compteur (fig. 5B),
- Tourner la clé de manière à ce que le volume indiqué par le compteur corresponde au volume moyen calculé.
- Sortir la clé de calibrage et mettre le commutateur de calibrage en position inférieure (fig. 5C), en passant ainsi au mode de travail,
- Remettre le cache du bouton d'éjecteur (fig. 5C).

Il est recommandé d'enregistrer le recalibrage.

ATTENTION: Avant de procéder au calibrage, il faut bloquer la vis de réglage du volume. Un déplacement de la vis de réglage après la mise de la pipette en mode de calibrage ("CAL") provoquerait une modification du calibrage sans modification apparente des réglages du compteur.

6. ENTRETIEN DE LA PIPETTE

Selon les applications et l'intensité de son utilisation, la pipette nécessite un entretien périodique. Les parties les plus exposées à l'action des vapeurs de solutions agressives, par exemple les éléments de l'embout porte-cône, doivent être régulièrement vérifiées et nettoyées.

Les parties extérieures de la poignée, des vis et des boutons peuvent être nettoyées avec un tampon imbibé d'alcool isopropylique.

ATTENTION:

Avant d'utiliser des produits de nettoyage autres que ceux recommandés par le fabricant, vérifiez les tableaux de compatibilité des matières dont la pipette est constituée : PP, PC, POM, PA, PPS, PVDF.

La pipette peut être stérilisée, dans sa totalité, dans un autoclave à la température de 121°C pendant 20 minutes. Après la stérilisation, il faut sécher la pipette et la refroidir à la température ambiante. Il est recommandé de stériliser les pipettes dans un autoclave avec un cycle de vide primaire et de séchage.

ATTENTION:

- La stérilisation dans des conditions autres que prévues peut provoquer l'endommagement la pipette.
- Avant la stérilisation, il faut positionner la vis de réglage du volume dans sa position supérieure (débloquées).

L'exploitation correcte de la pipette et l'autoclavage correctement réalisés ne changent pas la répétabilité des résultats obtenus. Cependant, un changement mineur de l'exactitude du dosage peut avoir lieu et pour cette raison il est recommandé :

- de vérifier le calibrage des pipettes après 1, 3 et 5 autoclavages, puis tous les 10 cycles d'autoclavage au cours de l'utilisation de la pipette.

La pipette est résistante aux rayons UV, ce qui a été prouvé par nos tests. Il est recommandé de ne pas dépasser la longueur de 50 cm entre une source de rayonnement et un élément exposé aux rayons. Une exposition longue et intense aux rayons UV pourrait entraîner des légères modifications de l'aspect esthétique des éléments de couleur, sans altérer des paramètres du pipette.

7. ELIMINATION DE PETITS DEFAUTS

Si vous constatez un mauvais fonctionnement de la pipette, trouvez la cause et éliminer la défaillance. Suivez l'ordre proposé par la notice. L'échange des pièces est un ultime recours qui ne devrait pas être nécessaire lors d'une exploitation convenable.

Problème	Cause	Remède
Présence des gouttes de liquide dans le cône.	Le liquide est trop rapidement éjecté des cônes.	Diminuez la vitesse de pression sur le bouton-poussoir.
	Humidification des cônes causée par une utilisation prolongée.	Remplacez les cônes.
Apparition de bulles d'air dans le liquide aspiré.	Immersion trop faible des cônes.	Immergez les cônes plus en profondeur comme précisé dans la notice.
	Cônes mal fixés sur les embouts porte-cône.	Fixez mieux les cônes.
	Cônes endommagés ou usés.	Remplacez les cônes.
Pipette aspire incorrectement ou le cône perd du liquide.	Cônes mal fixés sur les embouts porte-cône.	Fixez mieux les cônes.
	Endommagement ou pollution de la surface d'étanchéité de l'embout porte-cône.	Nettoyez ou remplacez l'embout porte-cône.
	Endommagement du piston assemble ou du joint d'étanchéité causé par un pipetage prolongé des liquides corrosifs.	Envoyez la pipette au service après-vente.
	Intérieur de la pipette malpropre.	
Absence de graisse sur les éléments d'étanchéité.		

Problème	Cause	Remède
Fonctionnement irrégulier du dispositif de pipetage, blocage du bouton poussoir de pipetage	Intérieur de la pipette malpropre à cause du pipetage prolongé de liquides corrosifs.	Envoyez la pipette au service après-vente.
	Intérieur de la pipette malpropre à cause de la pénétration du liquide à l'intérieur de la pipette.	
	Absence de graisse sur les éléments d'étanchéité, par exemple aux plusieurs autoclavages.	
Aspiration incorrecte	Liquide dont les propriétés sont différentes de celles de l'eau (densité, viscosité).	Calibrez la pipette en utilisant le liquide à pipeter.
	Vis de réglage du volume utilisée en mode "CAL".	Procédez au calibrage de la pipette conformément au point 5.

Si les opérations mentionnées ci-dessus ne permettent pas de rétablir le fonctionnement, contactez le fournisseur de la pipette pour la faire réparer.

ATTENTION: Avant de renvoyer la pipette, assurez-vous que la pipette n'est pas contaminée par des agents chimiques corrosifs, radioactifs ou microbiologiques qui pourraient constituer un risque pendant le transport et la remise en état. Dans la mesure du possible, nettoyez la pipette.

8. CONTENU DE L'EMBALLAGE

Les pipettes sont fournies dans une complétation suivante:

- pipette,
- instruction sommaire
- CD
- clé de calibrage,
- support

Tous les droits réservés. Les produits décrits dans le présent mode d'emploi sont disponibles dans un cadre limité et sont soumis à des changements techniques. Les erreurs sont possibles.

PZ HTL S.A. se réserve le droit d'améliorer ou de modifier ses produits sans en aviser quiconque au préalable.

© 2015 PZ HTL S.A.

CONTENIDO

1. INTRODUCCIÓN

1.1 DESCRIPCIÓN DEL PRODUCTO

1.2 RECOMENDACIONES DE SEGURIDAD

1.3 PARÁMETROS

2. FUNCIONAMIENTO DE PIPETA

2.1 AJUSTE DEL VOLUMEN

2.2 PREPARACIÓN DE PIPETA PARA FUNCIONAMIENTO

3. INDICACIONES DE EXPLOTACIÓN

4. ASPIRACIÓN Y DOSIFICACIÓN DE LÍQUIDO

4.1 ASPIRACIÓN DE LÍQUIDO

4.2 DOSIFICACIÓN DE LÍQUIDO

4.3 LAVADO

4.4 ASPIRACIÓN DE LÍQUIDO DE ALTA DENSIDAD

5. RECALIBRACIÓN

6. MANTENIMIENTO DE PIPETA

7. ELIMINACIÓN DE DEFECTOS

8. JUEGO DE ENTREGA

1. INTRODUCCIÓN

Las pipetas **DISCOVERY PRO** son destinadas para el uso general en los laboratorios. Las pipetas pueden ser utilizadas para la medición y la transferencia de las soluciones acuosas, ácidos, bases y aplicaciones de análisis enzimático.

Estas pipetas de volumen variable cubren la gama desde 1 μl hasta 300 μl en 8 modelos.

Las pipetas **DISCOVERY PRO** funcionan conforme el principio de almohadilla automática, quiere decir, el líquido aspirado no tiene contacto con el cuerpo o botón pulsador de pipeta. El líquido a dispensar es aspirado a las puntas de un solo uso, insertadas en el cono de la pipeta.

Las pipetas vienen equipadas en un contador digital de cuatro dígitos que indica el volumen a medir, en cuanto el ajuste del volumen aspirado se consigue maniobrando con el tornillo del botón pulsador (fig. 1B). La construcción de pipeta facilita el bloqueo del volumen ajustado.

1.1. DESCRIPCIÓN DEL PRODUCTO

A. Botón pulsador de pipeteo

B. Tornillo de ajuste del volumen

Destinado para el ajuste de volumen y el bloqueo de volumen ajustado.

C. Botón de expulsor

D. Tapón

Aplicado para asegurar el lugar de calibración, y puede también ayudar en la identificación de pipeta por el usuario.

E. Conmutador de calibración

Conmuta la pipeta de la fase de trabajo a la fase de calibración.

F. Contador de volumen

El contador de volumen de cuatro dígitos indica el volumen ajustado.

G. Cubrejunta de contador

Encima de ella está imprimido el límite del volumen aspirado, adecuado al modelo de la pipeta.

H. Expulsor de puntas

I. Cuerpo

Elaborado de materia plástica de alta calidad, garantiza alta resistencia química y mecánica.

J. Módulo

Contiene un conjunto de émbolos y vástagos que se desplazan en forma independiente.

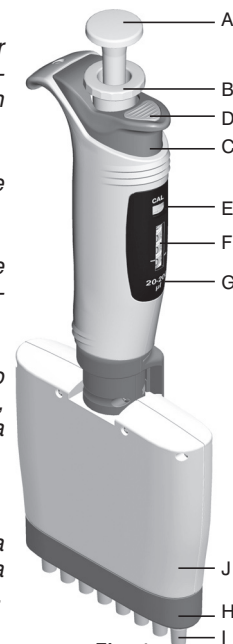


Fig. 1

El volumen de pipetas se identifica por el color del conmutador de calibración (Fig. 1E) y del Tapón (Fig. 1D), en función del tipo de puntas aplicadas.

Colores aplicados:

Pipetas 10 μl - color rojo

Pipetas de 50 μl , 200 μl - color amarillo

Pipetas 300 μl - color verde

1.2. RECOMENDACIONES DE SEGURIDAD

Los símbolos aplicados:

⚠ ADVERTENCIA! El riesgo de lesiones.

ATENCIÓN: Existe la posibilidad del deterioro del pipetor o la aparición de los errores en las medidas.

Un largo y adecuado funcionamiento de pipeta depende en gran medida de la manera de su uso. Para este fin le recomendamos que lea con cuidado la instrucción del uso de pipeta y aplique las reglas contenidas.

ATENCIÓN:

- La pipeta fué diseñada para aspirar el líquido exclusivamente por los extremos de las puntas. Está prohibido aspirar líquido sin puntas. El líquido aspirado no puede penetrar el interior de pipeta, porque podría dañarla.
- Utilizar sólo la pipeta con la punta adjunta
- El uso de las puntas de una vez garantiza su seguridad y elimina la posibilidad de contaminación del líquido aspirado.
- No pongas la pipeta en posición horizontal, en caso haya líquido en las puntas.
- Mantenga la pipeta limpia, no aplique para su limpieza sustancias agresivas (por ejemplo, acetona).
- Utilizar las pipetas de acuerdo con las instrucciones del fabricante para garantizar los parámetros apropiados de las pipetas.
- En caso del inadecuado funcionamiento del pipetor, limpie el aparato conforme las instrucciones o mande al servicio.

⚠ ADVERTENCIA!

- Aplique las reglas de seguridad del trabajo vigentes en los laboratorios.
- Ejercicio extremo cuidado al pipetear sustancias químicamente agresivos. Utilice el equipamiento de protección, gafas y guantes.
- Nunca dirija la pipeta con la boquilla instalada hacia su dirección u otras personas, en caso que haya líquido en la boquilla.
- Haga uso de piezas de repuesto y accesorios sólo recomendados por el productor.

1.3. PARÁMETROS

Las pipetas **DISCOVERY PRO** son instrumentos de laboratorio de alta calidad, que se caracterizan de alta precisión y repetibilidad.

Errores fueron determinados con puntas HTL utilizando el método gravimétrico con el mínimo de las 10 muestras de agua destilada a la temperatura de $20^{\circ} \pm 1^{\circ}C$ según la norma EN ISO 8655.

Modelos	Referencia	Capacidad [μl]	Erreur de precisión [%]	Erreur de répétabilité [%]	Division elemental [μl]	Punta [μl]
DP8-10 DP12-10	4951 4955	Min 0.5 Max 10	± 10.0 ± 4.0 ± 2.0	± 8.0 ± 2.0 ± 1.2	0.01	10
DP8-50 DP12-50	4952 4956	Min 5 Max 50	± 4.0 ± 3.0 ± 1.6	± 2.5 ± 1.2 ± 0.6	0.05	200
DP8-200 DP12-200	4953 4957	Min 20 Max 200	± 3.0 ± 1.5 ± 1.0	± 1.5 ± 0.8 ± 0.6	0.2	
DP8-300 DP12-300	4954 4958	Min 50 Max 300	± 1.6 ± 1.2 ± 1.0	± 1.5 ± 1.0 ± 0.6	0.5	300

Cuadro 1

Únicamente el uso de las puntas **HTL** puede asegurar la precisión de las medidas en el nivel indicado en la tabla anterior.

La construcción de pipeta le crea al usuario la posibilidad de realizar su calibración, según las indicaciones contenidas en la parte no. 5.

2. FUNCIONAMIENTO DE PIPETA

2.1. AJUSTE DEL VOLUMEN

La marcación de volumen se realiza con el botón pulsador de volumen (fig. 1B).

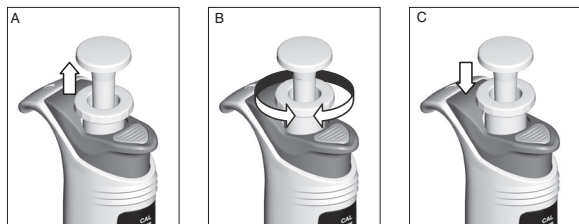


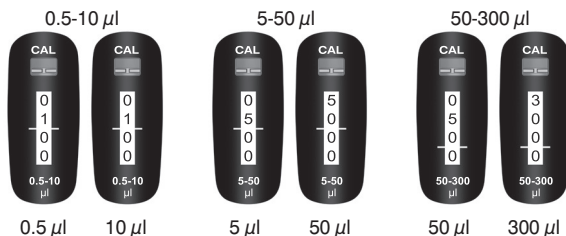
Fig. 2

El límite de volumen aspirado aparece en la cubrejunta del contador (fig. 1G). El volumen, que marca el contador es de cuatro dígitos, que hay que leerlos desde arriba para abajo. Los dígitos insertos en el tambor de abajo se considera como división elemental para un modelo. El valor de la división elemental aparece en el Cuadro no.1.

El cambio de volumen es posible al poner el tornillo en la posición superior (fig. 2A y 2B).

Después de marcar el volumen deseado, desplaza el botón pulsador (fig. 1B) para abajo, para bloquear el ajuste (fig. 2C).

Ejemplos de las marcaciones de las indicaciones del contador:



Las indicaciones del contador por encima de los indicadores horizontales significan el volumen en $[\mu\text{l}]$.

Para conseguir la máxima exactitud, se debe ajustar el volumen partiendo de los valores altos y todo el tiempo bajando las indicaciones del contador.

Un ejemplo del ajuste correcto de volumen:

- Si el volumen requerido fuera menor del ajustado en el contador, se debe disminuir la indicación del contador al valor requerido. Para no sobrepasar el valor requerido (fig.3), se debe disminuir la velocidad de giro del botón pulsador (fig.1B) antes de alcanzar el valor requerido.



Fig. 3

- Si el volumen requerido fuera más alto del ajustado en el contador, se debe aumentar la indicación del contador hasta el valor que sobrepase el volumen requerido por alrededor de 1/3 de giro del tambor ubicado en lo más bajo. Luego, girando lentamente el botón pulsador (fig.1B) disminuir el ajuste hasta el valor requerido (fig. 3).

Finalizado el ajuste de volumen requerido, se debe desplazar el botón pulsador (fig. 1.B) hacia abajo para bloquear volumen ajustado (fig. 2C).

ATENCIÓN: La corredera de calibración (fig. 1E) ubicada por encima del contador durante el trabajo debe estar en la posición interior. De lo contrario, cada cambio de volumen llevará a la descalibración de la pipeta.

2.2. PREPARACIÓN DE PIPETA PARA FUNCIONAMIENTO

Colocar las puntas encima del vástago de pipeta. Colocando las puntas encima del vástago hay que presionar la pipeta hacia las puntas en caja hasta el momento del desplazamiento de los vástagos al interior del cuerpo por cerca de 1,5 mm. La suspensión elástica de los vástagos asegura una adecuada obturación de las puntas sobre los vástagos, sin necesidad de ejecución de movimientos laterales. En momento de la colocación de las puntas, mantener la pipeta en posición vertical. El tipo de la punta adecuado al modelo concreto de la pipeta indica el Cuadro 1.

ATENCIÓN:

- Se recomienda la aplicación de puntas indicadas por el productor. Sólo dichas puntas pueden garantizar la exactitud y repetibilidad de la medición de líquido.
- No se puede aspirar el líquido a pipeta, sin colocar las puntas.

3. INDICACIONES DE EXPLOATACIÓN

Para asegurar una exacta y repetible aspiración del líquido, hay que observar las siguientes indicaciones:

- La pipeta **DISCOVERY PRO** durante el trabajo debe tener bloqueado el ajuste de volumen – el botón de ajuste en la posición baja (fig. 2C).
- La pipeta está equipada con un conmutador del modo de trabajo del contador - la corredera de calibración (fig. 1E). Ésta debería ser deslizada exclusivamente para el tiempo de calibración de la pipeta (la posición superior marcada con el símbolo "CAL").
- El movimiento del botón pulsador en la fase de aspiración y dosificación de líquido debe ser lento y fluido.
- La profundidad de submersión de las puntas en el líquido aspirado debe oscilar entre 2-4 mm.
- La pipeta durante el trabajo debe mantener la posición vertical.
- Puntas nuevas debe estar previamente lavadas.
- Las puntas deben ser reemplazadas cuando:
 - se cambia líquido dosificado,
 - se cambia volumen de líquido dosificado,
 - se quedan visibles gotas de líquido.
- Líquido aspirado no puede entrar en el interior del cuerpo de pipeta. Para garantizarlo:
 - presione y afloje el pulsador de pipetaje en forma lenta y fluida,
 - no deje pipeta fuera del uso, cuando haya líquido en las puntas,
 - no vire la pipeta,
 - no ajuste y no aspire volúmenes mayores de los nominales.
- Antes de aspirar el líquido de temperatura diferente de la del ambiente, se recomienda lavado repetido de las puntas con el líquido aspirado.

4. ASPIRACIÓN Y DOSIFICACIÓN DE LÍQUIDO

4.1 ASPIRACIÓN DE LÍQUIDO

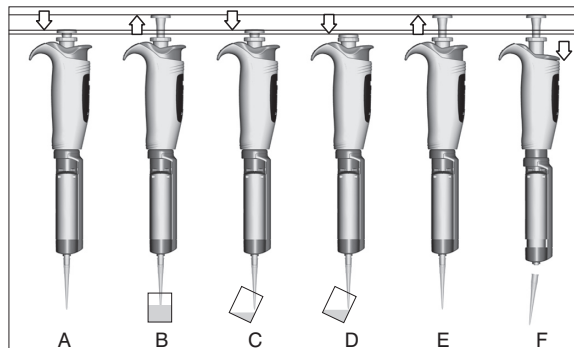


Fig. 4

- El botón pulsador de pipeteo (fig. 1A) se debe presionar hasta la primera resistencia (fig. 4A),
- Colocando la pipeta en posición vertical sumergir las puntas a la profundidad de 2-4 mm dentro del líquido aspirado y lavarlas una vez aspirando y vaciando lentamente el líquido. En caso de sumersión de las puntas menor que recomendada o demasiado rápida liberación del botón pulsador de pipeteo, las puntas se pueden llenar de aire,
- Para aspirar el líquido hay que liberar el botón pulsador en forma lenta y fluida (fig. 4B),
- Antes de sacar la pipeta de la muestra hay que esperar cerca de 1 segundo.

⚠ ADVERTENCIA! No se debe tocar las puntas usadas.

4.2 DOSIFICACIÓN DE LÍQUIDO

- Tomando la pipeta inclinada de 10 hasta 40 grados se debe poner los extremos de las puntas a la pared del recipiente.
- Luego apretar suavemente, en forma fluida, el botón pulsador, hasta encontrar primera resistencia, pasar a la dosificación del líquido (fig. 4C).
- Después de 1 segundo, apretar el botón pulsador hasta el fin para eliminar los restos del líquido de los extremos de las puntas (fig. 4D).
- Tomando el botón pulsador metido dentro hasta producir resistencia, sacar la pipeta desplazando los extremos de las puntas por la pared del recipiente.

• Liberar el botón pulsador de pipeteo volviendo a la posición inicial (fig. 4E) y desmontar las puntas apretando el botón de expulsor (fig. 4F).

ATENCIÓN: Si quieres cambiar líquido dosificado, debes substituir las puntas para nuevas.

4.3 LAVADO

Al pipetear líquidos de densidad mayor o tensión superficial menor a la del agua (p.ej. sueros o disolventes orgánicos), aparece una capa del líquido en la pared interior de las puntas. Dicha capa puede provocar error de la medida. Dado que dicha capa mantiene su volumen relativamente constante en las operaciones sucesivas de pipeteo con las mismas puntas, se puede evitar dicho error creando la capa superficial antes del primer pipeteo. Esto se logra realizando un ciclo completo de pipeteo en el mismo recipiente. En el resultado, una capa del líquido se colocará en las puntas garantizando mejor exactitud y repetibilidad de nuevos pipeteos.

4.4 ASPIRACIÓN DE LÍQUIDO DE ALTA DENSIDAD

Los errores de exactitud y repetibilidad indicados en el Cuadro 1. han sido definidos empleando agua destilada. Al pipetear líquidos, cuyas propiedades (densidad, viscosidad, tensión superficial) son diferentes de las del agua, puede resultar necesaria la compensación del ajuste de volumen.

ATENCIÓN: Se puede evitar las diferencias en aspiración efectuando el pipeteo en forma lenta, para que el líquido pueda acompañar lentamente los cambios de presión. Después de cada aspiración y dosificación hay que esperar 2 segundos y no cambiar en absoluto la posición de la pipeta.

Si dicho procedimiento no garantizaría resultados exactos habrá que efectuar proceso de recalibración de la pipeta, conforme al capítulo 5.

Finalizada la calibración, se recomienda hacer nota de la recalibración y magnitud de corrección, lo que facilitará la calibración de vuelta para el líquido modelo.

5. RECALIBRACIÓN

La recalibración de pipetas **DISCOVERY PRO** se realiza por método de gravimetría con el uso de puntas **HTL** y

agua destilada, en temperatura de $20^{\circ} \pm 1^{\circ}\text{C}$, conforme a la norma EN ISO 8655.

Se recomienda la verificación periódica de funcionamiento de pipeta. El período de funcionamiento de pipeta sin verificación depende del tipo de carga (líquido aspirado) y otros factores (intensidad de carga y esterilización en autoclave, reposición de subconjuntos), en que trabaja pipeta.

Influyen en la toma de la pipeta entre otros factores: puntas utilizadas, propiedades del líquido pipeteado (densidad, viscosidad) o condiciones del trabajo (temperatura de medioambiente, presión).

En caso de constatación, que el error de exactitud (la diferencia entre el volumen real aspirado y el ajustado) sobrepasa los valores aceptables mencionados en el Cuadro 1, se realiza la recalibración de pipeta.

Verificación de parámetros de pipeta

Para poder definir el error de precisión de pipeta hay que considerar los siguientes factores:

- La temperatura del ambiente, de la pipeta y las puntas, y del líquido sometido a prueba (asi como del agua destilada en forma standard) debería oscilar entre $20-25^{\circ}\text{C}$ y estar estabilizada durante el pesaje $\pm 0.5^{\circ}\text{C}$,
- La precisión de la balanza debería ser adecuada al volumen a verificar (Cuadro 2),

Volumenes [μl]	0.1 - 10	10 - 100	> 100
Precisión de balanza [mg]	≤ 0.001	≤ 0.01	≤ 0.1

Cuadro 2

- El cuadro 3 presenta los valores de conversión [$\text{mg}/\mu\text{l}$] de agua destilada o líquido de densidad comparable.

Temperatura [$^{\circ}\text{C}$]	Presión [kPa]		
	95	101.3	105
20	1.0028	1.0029	1.0029
21	1.0030	1.0031	1.0031
22	1.0032	1.0033	1.0033
23	1.0034	1.0035	1.0036
24	1.0037	1.0038	1.0038
25	1.0039	1.0040	1.0040

Cuadro 3

ATENCIÓN: El pipeteo se debe realizar conforme a los principios mencionados en los capítulos 3 y 4.

Modo de realizar recalibración

- Marcar el volumen de la dosis según la capacidad de pipeta, conforme el Cuadro 4,

Rango de capacidad de pipeta	Volumenes [μ l]	Volumen ajustado [μ l]	Volumenes permitidos [μ l]
DP8-10, DP12-10	0.5-10	0.5	0.45-0.55
DP8-50, DP12-50	5-50	5	4.8-5.2
DP8-200, DP12-200	20-200	20	19.4-20.6
DP8-300, DP12-300	50-300	50	49.2-50.8

Cuadro 4

- Ejecutar 5 tomas pesándolas cada vez y calcular el valor medio de todas,
- Calcular la capacidad media de la toma en [μ l], multiplicando el valor medio de las tomas [mg] por el coeficiente de la densidad del agua destilada [μ l/mg], según la temperatura y presión (Cuadro 3),
- Si la capacidad media de la toma sobrepasaría los valores permitidos, sería necesaria la recalibración de pipeta.

La recalibración de pipeta se efectúa ajustando en el contador el valor real indicado por el pesaje. Para este fin se necesita tomar las siguientes medidas:

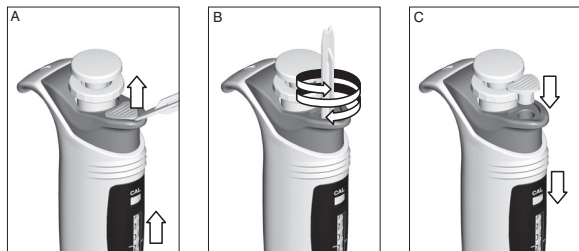


Fig. 5

- Descimbrar el tapón (fig. 1D) con la llave de calibración (fig. 5A),
- Poner el conmutador de calibración (fig. 1E) en posición alta (fig. 5A),
- Insertar la llave de calibración en el orificio del botón expulsor (fig. 1C) y colocarla en el tornillo de calibración del contador (fig. 5B),

- Atornillar la llave así, para que la capacidad indicada por el contador sea igual a la media de la capacidad calculada.
 - Retirar la llave de calibración y ajustar el conmutador de calibración en posición baja (fig. 5C), pasando así a la fase de pipeteo.
 - Colocar la cubrejunta del botón de expulsor (fig. 5C).
- Finalizada la calibración se recomienda tomar nota de recalibración.

ATENCIÓN: El tornillo de ajuste de volumen, antes del inicio de la calibración, debería ser bloqueado. La deslocación del tortillo efectuada la conmutación de la pipeta para el modo de calibración ("CAL"), va a cambiar la calibración de la pipeta sin aparentes cambios de ajustes del contador.

6. MANTENIMIENTO DE PIPETA

La pipeta requiere de mantenimiento periódico, en función de la cantidad de aplicaciones y la frecuencia del uso. Los subconjuntos, como los elementos del cuerpo, que son más expuestos a la reacción de los vapores de disoluciones agresivas, deberían ser regularmente controlados y limpiados.

Las superficies exteriores del mango, botón y pulsadores se puede limpiar con tapones saturados de alcohol isopropílico.

ATENCIÓN: Antes de aplicar agentes de limpieza otros que no sean recomendados por el fabricante, consulte las tablas de compatibilidad de materiales plásticos, los cuales componen los elementos de la pipeta: PP, PC, POM, PA, PPS, PVDF

La pipeta puede ser esterilizada en completo, en una autoclave, en el lapso de 20 minutos, y temperatura de 121°C. Terminada la esterilización, secada y enfriada a la temperatura del ambiente. Se recomienda la esterilización de pipeta en autoclave, en ciclo del vacío preliminar y secado.

ATENCIÓN:

- La esterilización en otras condiciones puede causar daño a la pipeta.
- Antes de empezar la esterilización, ponga el botón pulsador de ajuste de la capacidad en posición alta (desbloqueado).

La explotación correcta y el proceso de autoclaveación adecuado no influyen en el cambio de la repetición de resultados obtenidos. No obstante, no se excluye pequeñas diferencias en la precisión de la dosificación.

Es por eso, que se recomienda:

- la verificación de calibración de pipetas después de 1, 3 y 5 autoclaves, y a cada 10 ciclos de autoclaves en el período ulterior de explotación de pipetas.

La pipeta es resistente a la radiación ultravioleta, lo que se confirmó con las pruebas realizadas. La distancia recomendada desde la fuente de radiación hasta el elemento expuesto no deberá ser inferior a 50 cm. Una exposición intensa, de duración excesiva puede causar pequeños cambios en el aspecto de los elementos de color sin influir en los parámetros de la pipeta.

7. ELIMINACIÓN DE DEFECTOS

Si iba constatar irregularidades en el funcionamiento de pipeta, verifique la causa y elimine defecto. Eliminando defecto, siga el orden de la instrucción. El cambio de los elementos para nuevos trate como una extrema necesidad, que no pueda acontecer en caso de la explotación correcta.

Problema	Causa	Modo de proceder
En punta se quedan unas gotas de líquido	Demasiado rápido vaciado de las puntas	Disminuya la velocidad de expulsión
	Demasiado alta humidificación de las puntas causada por su uso múltiple	Cambie las puntas para nuevas
Las burbujas de aire en el líquido tomado	Poca profundidad de inmersión de las puntas	Hunda las puntas a profundidad mayor, conforme la instrucción
	Las puntas poco fijadas en el tronco	Fíjelas mejor
	Las puntas deterioradas o demasiado usadas	Cambie las puntas para nuevas

Problema	Causa	Modo de proceder
La toma del líquido en forma incorrecta o el líquido sale goteando de las puntas	Las puntas poco fijadas en el tronco	Fíjelas mejor
	Superficie de los troncos deterioradas o ensuciadas en el lugar de obturación	Limpie los troncos o mande la pipeta al servicio
	Deterioro de los pistones o de la obturación causado por la aspiración prolongada de líquidos agresivos	Mande la pipeta al servicio
	Contaminación del interior de pipeta	
Falta de grasa en las piezas de hermeticidad		
Trabajo irregular de pipeteo, bloqueo del botón de pipeteo	Contaminación del interior de pipeta a causa de aspiración de sustancias agresivas	Mande la pipeta al servicio
	Contaminación del interior provocada por el cebado del interior de pipeta	
	Falta de lubricante en las piezas de hermeticidad, p.e. a causa de autoclaveación múltiple	
La toma incorrecta	El líquido que no sea de las propiedades de agua (densidad, viscosidad)	Calibre la pipeta usando para este fin el líquido, que debería ser pipeteado
	El tornillo de volumen en modo CAL	Calibre la pipeta conforme al capítulo 5

Si aplicación del procedimiento de arriba no eliminaría irregularidades en el trabajo de pipeta, entre en contacto con el proveedor de pipeta para que la repare.

ATENCIÓN: Antes de enviar la pipeta asegúrese, si no ha sido contaminada por reactivos agresivos químicos, radioactivos, microbiológicos, que puedan constituir una amenaza durante el transporte y reparación. Según las posibilidades, limpie la pipeta.

8. JUEGO DE ENTREGA

- la pipeta
- un manual de usuario corto
- CD
- una llave de calibración
- un portapipetas

Todos los derechos reservados. Los productos mencionados en el presente manual se hallan disponibles dentro del campo limitado y se someten a las modificaciones técnicas. Los errores se encuentran permisibles.

PZ HTL S.A. reserva el derecho a mejorar o modificar sus productos sin aviso previo.

© 2015 PZ HTL S.A.

ÍNDICE

1. INTRODUÇÃO
 - 1.1 DESCRIÇÃO DO PRODUTO
 - 1.2 INSTRUÇÕES PARA SEGURANÇA DO TRABALHO
 - 1.3 PARÂMETROS TÉCNICOS
2. OPERAÇÃO
 - 2.1 AJUSTE DE VOLUME
 - 2.2 PREPARAÇÃO PARA OPERAÇÃO
3. RECOMENDAÇÕES DE PIPETAGEM
4. ASPIRANDO E DISPENSANDO LÍQUIDOS
 - 4.1 ASPIRANDO LÍQUIDOS
 - 4.2 DISPENSANDO LÍQUIDOS
 - 4.3 PRÉ-ENXAGUE
 - 4.4 ASPIRANDO LÍQUIDOS DE ALTA DENSIDADE
5. RECALIBRAGEM
6. MANUTENÇÃO
7. SOLUÇÃO DE PROBLEMAS
8. KIT DA PIPETA

1. INTRODUÇÃO

As pipetas **DISCOVERY PRO** são feitas para uso laboratorial geral. Elas podem ser usadas para medição e transferência de solução aquosa, ácidos, bases e aplicações de ensaio de enzima.

As pipetas de volume variável cobrem a gama de 1 μ l a 300 μ l em 8 modelos.

As pipetas DISCOVERY PRO operam no princípio de almofada de ar, ou seja, o líquido aspirado não tem contato com o eixo ou o êmbolo da pipeta. O líquido é aspirado em ponteiros descartáveis na pipeta. As pipetas possuem um contador de 4 dígitos que mostra o volume e o volume aspirado é ajustado pelo botão de ajuste (fig. 1B). O desenho da pipeta permite que o usuário trave o ajuste de volume.

1.1. DESCRIÇÃO DO PRODUTO

A. Botão de pipetagem

B. Botão de ajuste de volume

Além de ajustar o volume, o botão de ajuste de volume também serve para travar o ajuste de volume.

C. Botão ejetor

D. Tamp

Usada para cobrir o mecanismo de ajuste de calibragem e pode ser usada para identificação da pipeta.

E. Seletor de calibragem

Usado p/ alternar a pipeta do modo de operação para modo de calibragem.

F. Contador de volume

O contador de volume de 4 dígitos exibe o ajuste de volume.

G. Tampa do contador

A tampa possui um limite impresso do volume aspirado apropriado para o modelo de pipeta.

H. Ejetor de ponteira

I. Haste

Feito de material de alta qualidade; fornece alta resistência química e mecânica.

J. Módulo

O módulo consiste de pistões e hastas que se movem independentemente

O volume da pipeta é identificado pela cor do seletor de calibragem (fig. 1E) e da tampa (fig. 1D), dependendo do tipo de ponteira.

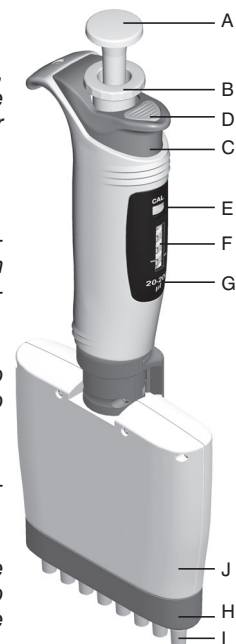


Fig. 1

Cores aplicadas:

- 10 µl pipetas vermelhas,
- 50 µl, 200 µl pipetas amarelas,
- 300 µl pipetas verdes

1.2. INSTRUÇÕES DE SEGURANÇA DO TRABALHO

Símbolos usados:

⚠️ AVISO! Risco de lesão

CUIDADO: Possível dano ao dispositivo ou erros de pipetagem.

O trabalho prolongado e sem falhas da pipeta depende em grande parte de sua operação. Leia com cuidado as instruções de operação da pipeta e cumpra os princípios incluídos.

CUIDADO:

- A pipeta serve para trabalhar somente com ponteiras. Não aspire líquidos sem as ponteiras. O líquido aspirado não deve entrar na pipeta, pois ele pode danificá-la.
- Use somente pipetas com ponteiras encaixadas.
- Um único uso de uma ponteira garante a segurança e elimina a possível contaminação do líquido aspirado.
- Mantenha a pipeta limpa; não limpe com substâncias quimicamente agressivas (como acetona).
- Não segure a pipeta na horizontal se houver líquido na ponteira.
- Só use pipetas de acordo com as instruções do fabricante para garantir os devidos parâmetros das pipetas.
- Em caso de operação inadequada da pipeta, limpe a pipeta com cuidado, seguindo as instruções fornecidas ou envie-a ao representante de serviço.

⚠️ AVISO!

- Siga os regulamentos de segurança do trabalho no laboratório.
- Exerça extremo cuidado ao pipetar substâncias quimicamente agressivas. Use os equipamentos de proteção, óculos e luvas.
- Nunca direcione a pipeta com as ponteiras encaixadas para si ou para qualquer pessoa, se houver líquido.
- Use somente as peças e acessórios recomendados pelo fabricante.

1.3. PARÁMETROS TÉCNICOS

As pipetas **DISCOVERY PRO** são instrumentos laboratoriais de alta qualidade que fornecem o máximo de exatidão e precisão.

Erros de exatidão e repetibilidade das medições de volume de líquido dependem da qualidade das ponteiras aplicadas. Os erros fornecidos foram determinados com o uso de ponteiras HTL por meio de método gravimétrico baseado em 10 amostras de água destilada com temperatura de 20° ± 1°C conforme o padrão EN ISO 8655.

Modelo	Cat.no.	VOLUME [µl]	Exatidão [%]	Precisão [%]	Incremento [µl]	Para ponteiras [µl]
DP8-10 DP12-10	4951	Min 0.5	± 10.0	± 8.0	0.01	10
	4955	Max 10	± 4.0 ± 2.0	± 2.0 ± 1.2		
DP8-50 DP12-50	4952	Min 5	± 4.0	± 2.5	0.05	200
	4956	Max 50	± 3.0 ± 1.6	± 1.2 ± 0.6		
DP8-200 DP12-200	4953	Min 20	± 3.0	± 1.5	0.2	
	4957	Max 200	± 1.5 ± 1.0	± 0.8 ± 0.6		
DP8-300 DP12-300	4954	Min 50	± 1.6	± 1.5	0.5	300
	4958	Max 300	± 1.2 ± 1.0	± 1.0 ± 0.6		

Tabela 1

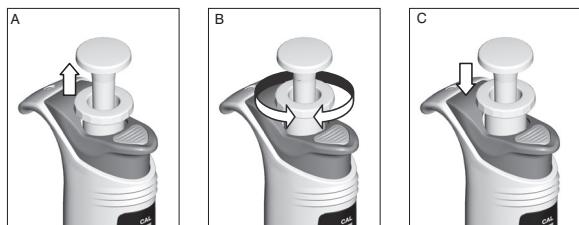
Somente a aplicação de ponteiras **HTL** garante a exatidão das medições no nível mostrado na tabela acima.

O desenho da pipeta permite que o usuário faça o processo de calibragem conforme as regras apresentadas na Seção 5.

2. OPERAÇÃO

2.1. AJUSTE DE VOLUME

O ajuste de volume é feito com o botão de ajuste de volume (fig. 1B).

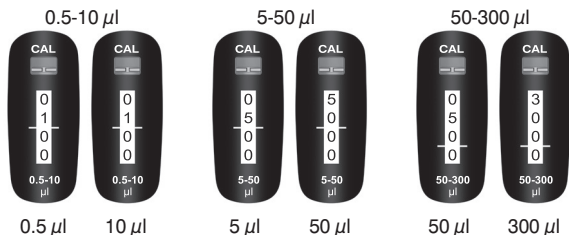

Fig. 2

A gama de volume aspirado é exibida na tampa do contador (fig. 1G). O volume é exibido pelo contador e consiste de 4 dígitos que devem ser lidos de cima para baixo. Os dígitos do tambor menor constituem a gradação mínima do modelo. O valor da gradação mínima (incremento) foi apresentado na Tabela 1.

O volume pode ser trocado após escolher a posição superior do botão (fig. 2A e 2B).

Após ajustar o volume desejado, o botão (fig. 1B) deve ser travado, apertando na posição inferior (fig. 2C).

Exemplos de indicações do contador:

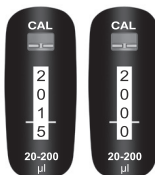


Nos contadores acima, as indicações horizontais de volume são dadas em μl .

Para atingir a máxima exatidão, o volume deve ser ajustado a partir do volume maior, reduzindo as indicações no contador.

Exemplo de ajuste correto de volume:

- Se o volume for menor do que o ajustado no contador, é necessário reduzir as indicações do contador para o valor desejado. Antes de atingir o valor desejado, deve-se reduzir a velocidade com a qual você gira o


Fig. 3

botão (fig. 1B) para não exceder o valor (fig. 3).

- Se o volume desejado for maior do que o ajustado no contador, é necessário aumentar as indicações do contador para o valor que excede o volume desejado, girando o botão em quase 1/3 de sua circunferência. Então, girando lentamente o botão de ajuste (fig. 1B), reduza o ajuste para o valor desejado (fig. 3).

Após ajustar o volume desejado, o botão (fig. 1B) deve ser movido para baixo para travar o volume ajustado (fig. 2C).

CUIDADO: O seletor de calibragem (fig. 1E) que fica acima do contador deve permanecer na posição mais baixa durante a operação. Senão, cada troca de capacidade resultará na descalibragem da pipeta.

2.2. PREPARAÇÃO PARA OPERAÇÃO

Posicione as ponteiras nas hastes da pipeta. Segurando a pipeta verticalmente, pressione-a contra as ponteiras no rack até que as hastes se retraiam em quase 1,5 mm no módulo multicanal. O sistema de suspensão das hastes garante a vedação uniforme e hermética das ponteiras.

O movimento de girar não precisa ser realizado.

Veja a Tabela 1 para as ponteiras apropriadas feitas para o modelo de pipeta fornecido.

CUIDADO:

- Recomenda-se usar as ponteiras indicadas pelo fabricante, já que só elas garantem medições exatas e repetíveis de líquido.
- Nunca aspire líquido numa pipeta sem ponteiras encaixadas.

3. RECOMENDAÇÕES DE PIPETAGEM

Observar as seguintes recomendações garantem a exatidão e repetibilidade de amostragem de líquido.

- Ao operar a pipeta **DISCOVERY PRO**, o ajuste de volume deve ser travado – com o botão de ajuste em sua posição inferior (fig. 2C).
- Opere o botão da pipeta lentamente e suavemente ao aspirar e dispensar líquidos.
- A pipeta possui um seletor do modo de operação do contador – seletor de calibragem (fig. 1E). Ele só deve ser alternado na hora de calibrar a pipeta (posição superior marcada com o símbolo "CAL").

- A profundidade de mergulho das ponteiros no líquido aspirado deve ficar entre 2-4 mm.
- Na operação, a pipeta deve ser segurada na vertical.
- As ponteiros novas devem ser ambientadas.
- As ponteiros devem ser trocadas por novas se:
 - outro tipo de líquido for manuseado;
 - um volume diferente de líquido for dispensado;
 - houver gotas visíveis de líquido nelas.
- O líquido pipetado não deve passar pelas hastes da pipeta. Para isso:
 - aperte e solte o botão de pipetagem lentamente;
 - não deixe a pipeta de lado se ainda houver líquido nas ponteiros;
 - não inverta a pipeta;
 - não ajuste e aspire volumes que excedam os valores nominais.
- Antes de aspirar líquido de temperatura diferente da temperatura ambiente, recomenda-se enxaguar as ponteiros várias vezes com o líquido aspirado.

4. ASPIRANDO E DISPENSANDO LÍQUIDOS

4.1 ASPIRANDO LÍQUIDOS

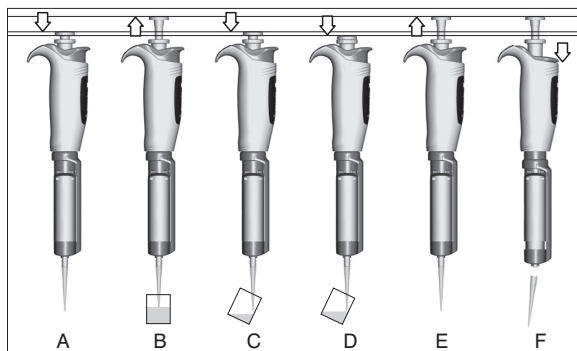


Fig. 4

- O botão de pipetagem (fig. 1A) deve ser pressionado até a 1ª parada (fig. 4A),
- Enquanto segura a pipeta na posição vertical, as ponteiros devem mergulhar no líquido aspirado até a pro-

fundidade de 2 a 4mm e lavadas uma vez ao extrair uma dose de líquido e dispensá-lo com movimento lento e firme. As ponteiros podem aspirar ar se forem mergulhadas a uma profundidade menor do que a recomendada ou se o botão de pipetagem for liberado rapidamente,

- Para aspirar o líquido, solte o botão de pipetagem suavemente (fig. 4B),
- Espere cerca de 1s antes de retirar as ponteiros da amostra aspirada, fig. 4.

⚠ AVISO! Não toque nas ponteiros usadas.

4.2 DISPENSANDO LÍQUIDOS

- Enquanto segura a pipeta levemente inclinada em 10 a 40° da vertical, ponha os orifícios das ponteiros contra a parede interna do recipiente.
- Então, pressione o botão de pipetagem levemente até a 1ª parada, dispensando o líquido (fig. 4C).
- Após 1s, pressione o botão de pipetagem até a parada final, expelindo o líquido restante das ponteiros (fig. 4D).
- Com o botão apertado, retire a pipeta, levando-a contra a parede interna do recipiente.
- Solte o botão de pipetagem para sua posição inicial (fig. 4E) e ejeite as ponteiros, pressionando o botão de ejetor de ponteiros (fig. 4F).

CUIDADO: Troque as ponteiros por novas quando outro líquido for utilizado.

4.3 PRÉ-ENXAGUE

Ao pipetar líquidos de maior viscosidade ou menor tensão superficial do que a água (ex.: serum ou solventes orgânicos), um filme de líquido se formará na parede interna da ponteira da pipeta. Este filme pode causar um erro. Já que o filme permanece relativamente constante em sucessivas operações de pipetagem com a mesma ponteira, tal erro pode ser evitado, formando o filme antes da primeira pipetagem. Isto é feito com um ciclo de pipetagem completo de um líquido no mesmo recipiente. Após esse procedimento, o filme de líquido já estará formado nas ponteiros e garantirá uma melhor exatidão e repetibilidade de sucessivas operações de pipetagem.

4.4 ASPIRANDO LÍQUIDOS DE ALTA DENSIDADE

Os erros de exatidão apresentados na Tabela 1 foram determinados com água destilada. Ao pipetar líquidos cujas propriedades (densidade, viscosidade, tensão superficial) diferem das propriedades da água, pode ser necessário compensar os ajustes de volume.

CUIDADO: As diferenças de aspiração podem ser evitadas se a operação de pipetagem for conduzida lentamente, para que o líquido possa se ajustar lentamente à troca de pressão. Espere uns 2s após aspirar e dispensar, sem trocar a posição da pipeta.

Se o procedimento acima não fornecer resultados exatos, a recalibragem da pipeta é exigida, conforme a Seção 5.

Após a calibragem, recomenda-se registrar a recalibragem e o valor de ajuste que facilitarão o retorno da calibragem para o líquido padrão.

5. RECALIBRAGEM

As pipetas **DISCOVERY PRO** são calibradas por método gravimétrico, usando ponteiras **HTL** e água destilada à temperatura de $20^{\circ} \pm 1^{\circ}C$, conforme o padrão EN ISO 8655.

Recomenda-se conduzir uma inspeção periódica da operação da pipeta, com intervalo entre as instruções dependente do tipo de carga (líquidos aspirados) e outras condições (intensidade de carga e esterilização por autoclave, troca de subconjuntos) na qual a pipeta é usada.

O procedimento de recalibragem da pipeta deve ser feito se durante a operação da pipeta você achar que o erro de exatidão (a diferença entre o real volume aspirado e o volume pré-ajustado) excede o valor permitido fornecido pela Tabela 1.

A eficácia de aspiração da pipeta é determinada, por exemplo: pelas ponteiras aplicadas, propriedades do líquido pipetado (densidade, viscosidade) e condições de operação (temperatura ambiente, pressão).

Checando o parâmetro das pipetas

Para determinar o erro de exatidão da pipeta, os seguintes requisitos devem ser atendidos:

- A temperatura ambiente da pipeta, das ponteiras e do líquido de teste (geralmente água destilada) deve estar dentro do limite de $20-25^{\circ}C$ e estabilizada durante a pesagem dentro do limite de $\pm 0.5^{\circ}C$,

- A sensibilidade da balança deve ser apropriada para o volume testado (Tabela 2),
- A Tabela 3 mostra os valores das taxas de conversão $[mg/\mu l]$ p/ água destilada ou outro líquido de densidade similar.

Volume $[\mu l]$	0.1 - 10	10 - 100	> 100
Sensibilidade $[mg]$	≤ 0.001	≤ 0.01	≤ 0.1

Tabela 2

Temperatura $[^{\circ}C]$	Pressão $[kPa]$		
	95	101.3	105
20	1.0028	1.0029	1.0029
21	1.0030	1.0031	1.0031
22	1.0032	1.0033	1.0033
23	1.0034	1.0035	1.0036
24	1.0037	1.0038	1.0038
25	1.0039	1.0040	1.0040

Tabela 3

CUIDADO: O procedimento de pipetagem deve ser conduzido conforme as regras descritas nas Seções 3 e 4.

Procedimento de recalibragem:

- Ajuste o volume da dose, dependendo do volume pipetado, conforme a Tabela 4.

Modelo	Gama dos volumes de pipeta $[\mu l]$	Volume ajustado $[\mu l]$	Volumes permitidos $[\mu l]$
DP8-10, DP12-10	0.5-10	0.5	0.45-0.55
DP8-50, DP12-50	5-50	5	4.8-5.2
DP8-200, DP12-200	20-200	20	19.4-20.6
DP8-300, DP12-300	50-300	50	49.2-50.8

Tabela 4

- Faça 5 aspirações, pese cada uma e calcule o valor médio das aspirações.
- Calcule o volume médio aspirado em $[\mu l]$, multiplicando o valor médio de aspiração $[mg]$ pelo coeficiente de densidade da água destilada $[\mu l/mg]$, que depende da temperatura e pressão (Tabela 3).
- Se o volume médio aspirado exceder os valores permitidos, a recalibragem da pipeta deverá ser conduzida.

A recalibragem da pipeta consiste em ajustar o valor real obtido durante a pesagem do contador. Para isso, deve-se fazer o seguinte:

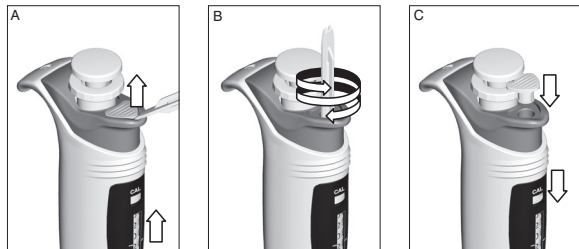


Fig. 5

- Retire a tampa (fig. 1D) usando a chave de calibragem (fig. 5A),
- Ajuste o seletor de calibragem (fig. 1E) para sua posição superior (fig. 5A),
- Insira a chave de calibragem no orifício do ejetor (fig. 1C) e ponha no parafuso de calibragem do contador (fig. 5B),
- Gire a chave para que o volume indicado pelo contador seja igual ao volume médio calculado.
- Retire a chave de calibragem e ajuste o seletor de calibragem para sua posição inferior (fig. 5C), entrando no modo de pipetagem,
- Ponha a tampa do botão de ejetor (fig. 5C).

Após conduzir a calibragem, recomenda-se registrar o procedimento.

CUIDADO: Antes da calibragem, o botão de ajuste de volume deve ser travado. Se ele for acionado após trocar a pipeta no modo de calibragem ("CAL"), a calibragem será alterada sem uma mudança visível nos ajustes do contador.

6. MANUTENÇÃO

A pipeta requer manutenção periódica, dependendo das aplicações realizadas e da intensidade de uso. Os subconjuntos sujeitos à ação de vapores agressivos, como elementos da haste, devem ser regularmente inspecionados e limpos.

As superfícies externas do pegador, do botão e dos botões de apertar podem ser limpas com um pano embebido em álcool isopropílico.

CUIDADO: Antes de usar agentes de limpeza diferentes dos recomendados pelo fabricante, cheque os quadros de compatibilidade e considere a resistência química dos seguintes plásticos: PP, PC, POM, PA, PPS, PVDF usados na fabricação das peças da pipeta.

A pipeta pode ser esterilizada em autoclave à temperatura de 121°C por 20 minutos. Após a esterilização, a pipeta deve ser seca e resfriada até a temperatura ambiente. Recomenda-se esterilizar as pipetas em autoclave com ciclo inicial de vácuo e secagem.

CUIDADO:

- A esterilização em outras condições pode danificar a pipeta,
- Ajuste o botão de ajuste para sua posição superior (destravada) antes da esterilização.

A repetibilidade dos resultados obtidos não muda se a pipeta for bem operada e se o procedimento de autoclave for conduzido adequadamente. Como pode haver uma pequena alteração na exatidão da dosagem, recomenda-se:

- Checar a calibragem da pipeta após o 1º, 3º e 5º procedimento de autoclave e a cada 10 ciclos de autoclave durante a operação posterior da pipeta.

Através de testes realizados, confirmamos que a pipeta é resistente à radiação ultravioleta. A distância recomendada entre a fonte de radiação e o elemento exposto não deve ser inferior a 50 cm. Uma exposição intensa, de longa duração, pode alterar ligeiramente o aspecto dos elementos coloridos sem influenciar os parâmetros da pipeta.

7. SOLUÇÃO DE PROBLEMAS

Se você notar uma operação indevida da pipeta, identifique a causa e elimine a falha. Para isto, siga as instruções na sequência apresentada. A troca de peças só deve ser necessária ocasionalmente e não deve ocorrer durante o uso normal da pipeta.

Problema	Causa	Instruções
Gotas de líquido ainda dentro das ponteiros da pipeta	Líquido dispensado muito rapidamente	Diminuir a velocidade p/ dispensar
	Chance de molhar as ponteiros aumentou com o uso prolongado	Trocar as ponteiros por novas
Bolhas de ar surgem no líquido aspirado nas ponteiros	O mergulho das ponteiros é muito raso	Mergulhar mais as ponteiros, conforme a instrução
	As ponteiros são incorretamente pressionadas nas hastes da	Pressione as ponteiros firmemente
	A ponteira está danificada ou desgastada devido ao uso prolongado	Trocar as ponteiros por novas
A pipeta aspira incorretamente o líquido ou o líquido goteja das ponteiros	As ponteiros foram incorretamente pressionadas nas hastes da pipeta	Pressione as ponteiros firmemente
	Superfície dos eixos danificada ou contaminada no local de vedação	Limpe as hastes ou envie a pipeta para serviço de trocar as hastes
	Os êmbolos ou vedações estão danificados devido ao uso de líquidos agressivos	Enviar a pipeta para serviço
	A parte interna da pipeta está contaminada	
	Sem lubrificação nos elementos de vedação	

Problema	Causa	Instruções
Trabalho desigual do conj. de pipetagem, o botão de pipetagem fica bloqueado	Parte interna da pipeta contaminada devido à aspiração de substâncias agressivas	Enviar a pipeta para serviço
	Parte interna da pipeta contaminada porque o líquido entrou na pipeta	
	Sem lubrificação na vedação, como após vários procedimentos de autoclave	
Aspiração incorreta	Líquido c/ propriedades diferentes da água (densidade, viscosidade)	Calibrar a pipeta usando o líquido a ser pipetado.
	Botão de ajuste de volume usado no modo "CAL"	Calibrar a pipeta conforme a Seção 5

Se o problema persistir após a conclusão dos passos acima, contate o fornecedor da pipeta para condução dos reparos.

CUIDADO: Antes de devolver a pipeta, certifique-se de que a pipeta esteja totalmente livre de qualquer contaminação de químico, radioativo e microbiológico que possa apresentar uma ameaça durante o transporte e reparo.

Limpe a pipeta o máximo possível.

8. KIT DA PIPETA

As pipetas são entregues nos kits incluindo:

- Pipeta
- Manual de instrução curto
- CD
- Chave de calibragem
- Base da pipeta

Todos os direitos reservados. O produto descrito neste manual está sujeito à disponibilidade e modificação técnica. Com exceção dos erros.

PZ HTL S.A. reserva o direito de melhorar, aperfeiçoar ou senão modificar seus produtos sem aviso prévio.

© 2015 PZ HTL S.A.

SPIS TREŚCI

1. WSTĘP

1.1 OPIS PRODUKTU

1.2 ZALECENIA DOTYCZĄCE BEZPIECZEŃSTWA

1.3 PARAMETRY

2. DZIAŁANIE PIPETY

2.1 NASTAWA OBJĘTOŚCI

2.2 PRZYGOTOWANIE PIPETY DO PRACY

3. WSKAZÓWKI EKSPLOATACYJNE

4. POBIERANIE I WYDAWANIE CIECZY

4.1 POBIERANIE CIECZY

4.2 WYDAWANIE CIECZY

4.3 PRZEPLUKIWANIE

4.4 POBIERANIE CIECZY O DUŻEJ GĘSTOŚCI

5. REKALIBRACJA

6. KONSERWACJA PIPETY

7. USUWANIE USTEREK

8. KOMPLETACJA

1. WSTĘP

Pipety **DISCOVERY PRO** to rodzina przyrządów przeznaczonych do dokładnego i bezpiecznego odmierzenia i przenoszenia cieczy o dowolnej objętości w zakresie od 1 μ l do 300 μ l w zależności od modelu.

Pipety **DISCOVERY PRO** pracują na zasadzie poduszki powietrznej, tzn. pobierana ciecz nie ma kontaktu z trzonem czy nurnikiem pipety. Ciecz pobierana jest do jednorazowych końcówek nakładanych na pipetę.

Pipety wyposażone są w czterocyfrowy licznik pokazujący odmierzaną objętość a ustawienie pobieranej objętości odbywa się za pomocą pokrętła nastawczego (rys. 1B). Konstrukcja pipety umożliwia zablokowanie nastawionej objętości.

1.1. OPIS PRODUKTU

A. Przycisk pipetowania

B. Pokrętło nastawcze objętości

Przeznaczone jest do ustawienia objętości oraz do blokady nastawionej objętości.

C. Przycisk wyrzutnika

D. Zaślepka

Stosowana jest do zabezpieczenia miejsca kalibracji, może spełniać również funkcję identyfikacji pipety przez użytkownika.

E. Suwak kalibracyjny

Przełącza pipetę z trybu pracy na tryb kalibracji.

F. Licznik objętości

Czterocyfrowy licznik objętości wskazuje nastawioną objętość.

G. Nakładka licznika

Na nakładce nadrukowany jest zakres pobieranej objętości, odpowiedni dla danego modelu pipety.

H. Wyrzutnik końcówek

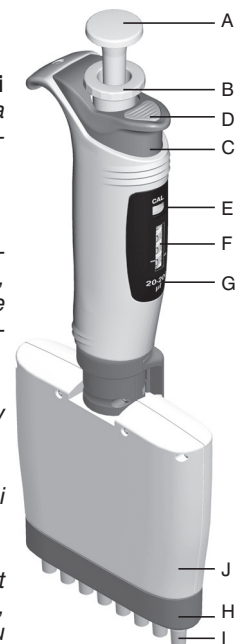
I. Trzony

Wykonane z wysokiej jakości tworzywa zapewniają dużą wytrzymałość chemiczną i mechaniczną.

J. Moduł

Zawiera zespół nurników i zespół trzonów niezależnie przesuwających się.

Pojemność pipet jest identyfikowana kolorem suwaka kalibracyjnego (rys.1E) i zaślepki (rys.1D) w zależności od stosowanego typu końcówek.



Rys. 1

Zastosowana kolorystyka:

pipety 10 μl – kolor czerwony
 pipety 50 μl , 200 μl – kolor żółty
 pipety 300 μl – kolor zielony

1.2. ZALECENIA DOTYCZĄCE BEZPIECZEŃSTWA

Użyte symbole

 **NIEBEZPIECZEŃSTWO!** Ryzyko zranienia

UWAGA: Zagrożenie uszkodzenia pipety lub powstanie błędów w pipetowaniu.

Długotrwałe i poprawne działanie pipety zależy w znacznej mierze od sposobu użytkowania. W tym celu przeczytaj dokładnie instrukcję użytkowania pipety i stosuj się do zawartych w niej zasad.

UWAGA:

- Pipeta została zaprojektowana do przenoszenia cieczy wyłącznie w końcówkach. Nie wolno pobierać cieczy bez końcówek. Pobierana ciecz nie powinna dostać się do wnętrza pipety, ponieważ grozi to uszkodzeniem pipety.
- Jednorazowe użycie końcówek gwarantuje bezpieczeństwo i eliminuje możliwość zanieczyszczenia pobieranej cieczy.
- Utrzymuj pipetę w czystości, nie używaj do czyszczenia agresywnych substancji (np. acetonu).
- Nie odkładaj pipety poziomo jeśli w końcówkach znajduje się ciecz.
- Tylko stosowanie pipety zgodnie z zaleceniami producenta zapewnia utrzymanie prawidłowych parametrów pipety.
- W przypadku wystąpienia nieprawidłowej pracy, urządzenie należy oczyścić zgodnie z instrukcją obsługi lub oddać do serwisu.



- Przy pracy z pipetą należy przestrzegać ogólnych przepisów bezpieczeństwa pracy dotyczących zagrożeń związanych z pracą w laboratorium.
- Zachowaj szczególną ostrożność przy pipetowaniu agresywnych substancji. Używaj odzieży ochronnej, okularów i rękawic ochronnych.

- W czasie pracy nie należy kierować pipety z założonymi i napętnionymi końcówkami w kierunku siebie ani innych osób.
- Używaj pipety tylko z założonymi końcówkami
- Używaj wyłącznie części i akcesoriów zalecanych przez producenta

1.3. PARAMETRY

Pipety **DISCOVERY PRO** są wysokiej jakości przyrządami laboratoryjnymi, zapewniającymi wysoką dokładność i powtarzalność.

Błędy dokładności i powtarzalności odmierzenia cieczy zależą od jakości używanych końcówek. Błędy (dokładności i powtarzalności) zostały określone przy użyciu końcówek HTL metodą grawimetryczną z minimum 10-ciu pobrań wody destylowanej o temperaturze $20 \pm 1^\circ\text{C}$ według normy EN ISO 8655.

Symbol	Nr katalogowy	Pojemność [μl]	Błąd dokładności [%]	Błąd powtarzalności [%]	Działka elementarna [μl]	Końcówka [μl]
DP8-10 DP12-10	4951 4955	Min 0,5 Max 10	$\pm 10,0$ $\pm 4,0$ $\pm 2,0$	$\pm 8,0$ $\pm 2,0$ $\pm 1,2$	0,01	10
DP8-50 DP12-50	4952 4956	Min 5 Max 50	$\pm 4,0$ $\pm 3,0$ $\pm 1,6$	$\pm 2,5$ $\pm 1,2$ $\pm 0,6$	0,05	200
DP8-200 DP12-200	4953 4957	Min 20 Max 200	$\pm 3,0$ $\pm 1,5$ $\pm 1,0$	$\pm 1,5$ $\pm 0,8$ $\pm 0,6$	0,2	
DP8-300 DP12-300	4954 4958	Min 50 Max 300	$\pm 1,6$ $\pm 1,2$ $\pm 1,0$	$\pm 1,5$ $\pm 1,0$ $\pm 0,6$	0,5	300

Tabela 1

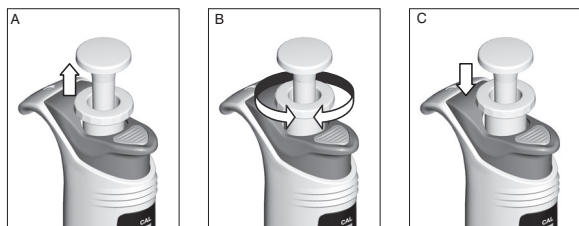
Jedynie stosowanie końcówek HTL gwarantuje dokładność pomiarów, na poziomie przedstawionym w powyższej tabeli.

Konstrukcja pipety umożliwia przeprowadzenie kalibracji przez użytkownika według zasad przedstawionych w rozdziale 5.

2. DZIAŁANIE PIPETY

2.1. NASTAWA OBJĘTOŚCI

Ustawienie objętości odbywa się za pomocą pokrętki nastawczego objętości (rys. 1B).



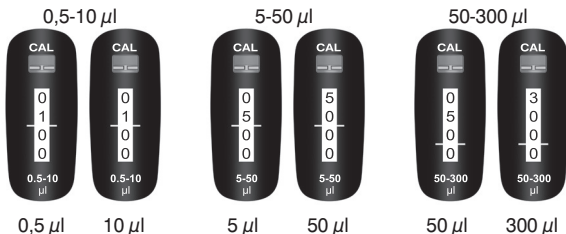
Rys. 2

Zakres pobieranej objętości pokazany jest na nakładce licznika (rys. 1G). Objętość wskazywana jest przez licznik i składa się z czterech cyfr, które należy czytać od góry do dołu. Cyfry na dolnym bębnie stanowią działkę elementarną dla danego modelu. Wartość działki elementarnej podana jest w Tabeli 1.

Zmiana objętości jest możliwa po ustawieniu pokrętki w pozycji górnej (rys. 2A i 2B).

Po ustawieniu żądanej objętości, pokrętło (rys.1B) należy przesunąć w dolne położenie w celu zablokowania nastawy (rys. 2C).

Przykłady oznaczeń wskazań licznika :



Wskazania licznika powyżej poziomych wskaźników oznaczają objętość w $[\mu\text{l}]$.

Aby uzyskać maksymalną dokładność, żądana objętość powinna być nastawiana od objętości wyższej przez zmniejszanie wskazania licznika.

Przykład prawidłowego nastawiania objętości:

- Jeżeli żądana objętość jest niższa niż nastawiona na liczniku, należy zmniejszyć wskazania licznika do wartości żądanej. Przed osiągnięciem wartości żądanej należy zmniejszyć prędkość obracania pokrętkiem nastawczym (rys. 1B), aby tej wartości nie przekroczyć (rys. 3).



Rys. 3

- Jeżeli żądana objętość jest wyższa niż ustawiona na liczniku, należy zwiększyć wskazania licznika do wartości przekraczającej żądaną objętość o około 1/3 obrotu najniższego bębna. Następnie, powoli obracając pokrętło nastawcze (rys. 1B) zmniejszyć nastawę do żądanej wartości (rys. 3).

Po ustawieniu żądanej objętości, pokrętło (rys. 1B) należy przesunąć w dół w celu zablokowania nastawionej objętości (rys. 2C).

UWAGA: Suwak kalibracyjny (rys. 1E) znajdujący się nad licznikiem powinien w trakcie pracy pozostawać w dolnym położeniu. W przeciwnym wypadku, każda zmiana pojemności będzie skutkować rozkalibrowaniem pipety.

2.2. PRZYGOTOWANIE PIPETY DO PRACY

Na trzony pipety należy założyć końcówki. Zakładając końcówki na trzon należy pipetę docisnąć do końcówek w pudełku do momentu przesunięcia się trzonów do wnętrza obudowy w granicach 1,5 mm. Sprężyste zawieszenie trzonów zapewnia prawidłowe uszczelnienie się końcówek na trzonach bez konieczności wykonywania ruchów na boki. Pipetę przy zakładaniu końcówek należy trzymać pionowo. Typ odpowiedniej końcówki dla danego modelu pipety podany jest w Tabeli 1.

UWAGA:

- Zaleca się stosowanie końcówek rekomendowanych przez producenta, tylko takie końcówki zapewnią dokładne i powtarzalne odmierzenie cieczy.
- Nigdy nie należy pobierać cieczy do pipety bez założonych końcówek

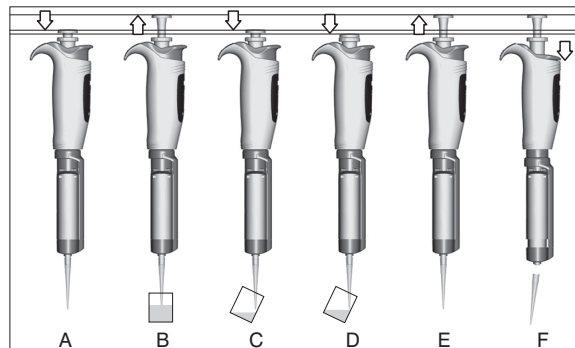
3. WSKAZÓWKI EKSPLOATACYJNE

Aby zapewnić dokładne i powtarzalne pobieranie cieczy należy przestrzegać poniższych wskazówek.

- Pipeta **DISCOVERY PRO** podczas pracy powinna mieć zablokowaną nastawę objętości - pokrętko nastawcze w dolnym położeniu (rys. 2C).
- Pipeta jest wyposażona w przełącznik trybu pracy licznika - suwak kalibracyjny (rys. 1E). Suwak ten powinien być przestawiany wyłącznie na czas kalibracji pipety (położenie górne oznaczenie symbolem CAL).
- Ruch przycisku pipetowania w czasie pobierania i wydawania cieczy powinien być wolny i płynny.
- Głębokość zanurzenia końcówki w pobieranej cieczy powinna być w granicach 2-4mm.
- Pipeta w czasie pracy powinna być trzymana pionowo.
- Nowe końcówki powinny być zostać przepłukane.
- Kończówki należy wymienić na nowe jeżeli:
 - zmienia się dozowaną ciecz;
 - zmienia się pojemność dozowanej cieczy,
 - pozostają w niej widoczne krople cieczy.
- Pobierana ciecz nie powinna dostać się do wnętrza trzonu pipety. Aby to zapewnić:
 - wciskaj i zwalniasz przycisk pipetowania wolno i płynnie,
 - nie odkładaj pipety jeżeli w końcówkach znajduje się ciecz,
 - nie odwracaj pipety,
 - nie ustawiaj i nie pobieraj objętości większych niż nominalne wielkości.
- Przed pobieraniem cieczy o temperaturze różnej od temperatury otoczenia zaleca się kilkakrotne przepłukanie końcówek pobieraną cieczą.

4. POBIERANIE I WYDAWANIE CIECZY WSKAZÓWKI

4.1 POBIERANIE CIECZY



Rys. 4

- Przycisk pipetowania (rys. 1A), należy wcisnąć do pierwszego oporu (rys. 4A),
- Trzymając pipetę pionowo należy zanurzyć końcówkę na głębokość 2-4mm w pobieranej cieczy i jednokrotnie przepłukać je pobierając i wydając ruchem powolnym i jednostajnym dawki cieczy. Przy zanurzeniu końcówki na mniejszą głębokość niż zalecana lub przy szybkim zwolnieniu przycisku pipetowania do końcówki może zostać pobrane powietrze,
- W celu pobrania cieczy należy powolnym, płynnym ruchem zwolnić przycisk pipetowania (rys. 4B),
- Przed wyjęciem pipety z pobieranej próbki należy odczekać około 1 sekundę.

! Nie należy dotykać zużytych końcówek.

4.2 WYDAWANIE CIECZY

- Trzymając pipetę odchyloną od pionu pod kątem od 10 do 40 stopni należy przyłożyć końce końcówek do ścianki naczynia.
- Następnie powolnym, płynnym ruchem należy wcisnąć przycisk aż do pierwszego oporu powodując wydanie cieczy (rys. 4C).
- Po upływie około sekundy należy docisnąć przycisk do końca w celu usunięcia z końcówek pozostałości cieczy (rys. 4D).
- Trzymając przycisk wciśnięty do oporu wyjąć pipetę przesuwając końcówki po ściance naczynia.

- Zwolnić przycisk pipetowania do pozycji początkowej (rys. 4E) i zrzucić końcówki wciskając przycisk wyrzutnika (rys. 4F).

UWAGA: Jeżeli zmieniasz dozowaną ciecz pamiętaj, konieczne wymień końcówki na nowe.

4.3 PRZEPLUKIWANIE

Podczas pipetowania cieczy o gęstości większej lub napięciu powierzchniowym mniejszym niż woda (np. surowice lub rozpuszczalniki organiczne), warstwa cieczy osiada na wewnętrznej ścianie końcówki. Warstwa ta może być źródłem błędów pomiaru. Ponieważ objętość tej warstwy pozostaje w przybliżeniu stała podczas kolejnych pipetowań z tą samą końcówką, błędów tego można uniknąć tworząc taką warstwę przed pierwszym pipetowaniem. W tym celu należy wykonać jeden pełny cykl pipetowania danej cieczy do tego samego naczynia. Po takim postępowaniu warstwa cieczy znajdzie się w końcówkach zapewniając lepszą dokładność i powtarzalność kolejnych pipetowań.

4.4 POBIERANIE CIECZY O DUŻEJ GĘSTOŚCI

Podane w Tabeli 1. błędy dokładności i powtarzalności określone zostały przy użyciu wody destylowanej. Przy pipetowaniu płynów, których właściwości (gęstość, lepkość, napięcie powierzchniowe) różnią się od właściwości wody można oczekiwać konieczne skompensowanie ustawienia objętości.

UWAGA: Różnic w pobieralności można uniknąć, jeśli pipetowanie będzie odbywało się powoli, tak aby ciecz mogła powoli nadażyć za zmieniającym się ciśnieniem. Po każdym pobraniu i wydaniu należy odczekać około 2 sekundy, nie zmieniając położenia pipety.

Jeśli powyższy sposób postępowania nie zapewni otrzymania dokładnych wyników należy przeprowadzić rekaliibrację pipety zgodnie z rozdziałem 5.

Po kalibracji zaleca się zapisanie faktu wykonania rekaliibracji oraz wielkości wprowadzonej poprawki, co ułatwi kalibrację powrotną do cieczy wzorcowej.

5. REKALIBRACJA

Pipety **DISCOVERY PRO** są kalibrowane metodą grawimetryczną, przy użyciu końcówek HTL i wody destylowanej, w temperaturze $20 \pm 1^\circ\text{C}$ zgodnie z normą EN ISO 8655.

Wskazane jest przeprowadzanie okresowego sprawdzenia pracy pipety, przy czym okres pracy pipety bez sprawdzenia zależy od rodzaju obciążenia (pobierane ciecze) i innych warunków (intensywność obciążenia i sterylizacji w autoklawie, wymiana podzespołów), w których pipeta jest użytkowana.

Rekalibrację pipety przeprowadza się w przypadku stwierdzenia w trakcie używania pipety, że błąd dokładności (różnica między rzeczywistą objętością pobieraną a nastawioną) przekracza dopuszczalne wartości podane w Tabeli 1.

Na pobieralność pipety mają wpływ m.in. takie czynniki jak: stosowane końcówki, charakterystyka pipetowanej cieczy (gęstość, lepkość) czy warunki pracy (temperatura otoczenia, ciśnienie).

Sprawdzanie parametrów pipety

Aby wyznaczyć błąd dokładności pipety powinny być spełnione poniższe warunki:

- Temperatura otoczenia, pipety, końcówki i cieczy testowej (standardowo wody destylowanej) powinna być w granicach $20-25^\circ\text{C}$ i stabilizowana w trakcie ważenia w granicach $\pm 0.5^\circ\text{C}$,
- Czulość wagi powinna być odpowiednia do sprawdzanej objętości (Tabela 2),

Pojemność [μl]	0.1 - 10	10 - 100	> 100
Czulość wagi [mg]	≤ 0.001	≤ 0.01	≤ 0.1

Tabela 2

- W tabeli 3 przedstawione zostały wartości przelicznika [$\text{mg}/\mu\text{l}$] dla wody destylowanej lub cieczy o porównywalnej gęstości.

Temperatura [$^\circ\text{C}$]	Ciśnienie [kPa]		
	95	101.3	105
20	1.0028	1.0029	1.0029
21	1.0030	1.0031	1.0031
22	1.0032	1.0033	1.0033
23	1.0034	1.0035	1.0036
24	1.0037	1.0038	1.0038
25	1.0039	1.0040	1.0040

Tabela 3

UWAGA: Pipetowanie powinno odbywać się zgodnie z zasadami opisanymi w rozdziałach 3 i 4.

Sposób przeprowadzenia rekaliibracji:

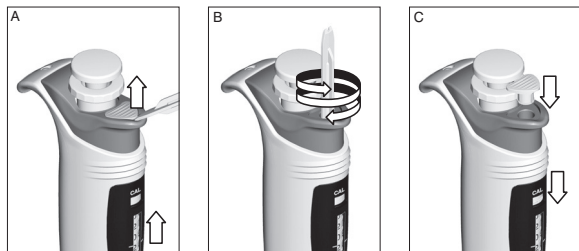
- Ustawić objętość dawki w zależności od pojemności pipety zgodnie z Tabelą 4,

Symbol	Zakres pojemności [μl]	Objętość ustawiona [μl]	Dopuszczalne wartości [μl]
DP8-10, DP12-10	0,5-10	0,5	0,45-0,55
DP8-50, DP12-50	5-50	5	4,8-5,2
DP8-200, DP12-200	20-200	20	19,4-20,6
DP8-300, DP12-300	50-300	50	49,2-50,8

Tabela 4

- Wykonać 5 pobrań, ważąc je za każdym razem i obliczyć średnią wartość tych pobrań,
- Obliczyć średnią pobieraną objętość w [μl] mnożąc średnią wartość pobrań [mg] przez współczynnik gęstości wody destylowanej [μl/mg] zależny od temperatury i ciśnienia (Tabela 3),
- Jeśli średnia objętość pobierana przekracza dopuszczalne wartości należy przeprowadzić rekaliibrację pipety.

Rekaliibracja pipety polega na ustawieniu na liczniku rzeczywistej wartości otrzymanej w trakcie ważenia. W tym celu należy przeprowadzić następujące działania:



Rys. 5

- Zdjąć zaślepkę (rys. 1D) używając do tego celu klucza kalibracyjnego (rys. 5A),
- Ustawić suwak kalibracyjny (rys. 1E) w pozycji górnej (rys. 5A),

- Włożyć klucz kalibracyjny w otwór przycisku wyrzutnika (rys. 1C) i umieścić we wkręcie kalibracyjnym licznika (rys. 5B),
- Przekręcić klucz tak aby wskazywana przez licznik objętość była równa średniej obliczonej objętości,
- Wyjąć klucz kalibracyjny i ustawić suwak kalibracyjny w dolnej pozycji (rys. 5C), przechodząc w ten sposób do trybu pipetowania,
- Założyć zaślepkę przycisku wyrzutnika (rys. 5C).

Po kalibracji zaleca się zapisanie faktu wykonania rekaliibracji.

UWAGA: Przed przystąpieniem do kalibracji pokrętko nastawy objętości powinno być zablokowane. Przeważenie pokrętką po przełączeniu pipety w tryb kalibracji (CAL), spowoduje zmianę kalibracji pipety bez widocznej zmiany ustawień licznika.

6. KONSERWACJA PIPETY

W zależności od wykonywanych aplikacji oraz intensywności używania, pipeta wymaga okresowej konserwacji. Najbardziej narażone na działania oparów agresywnych roztworów podzespoły jak trzony, powinny być regularnie sprawdzane i czyszczone.

Zewnętrzne powierzchnie rękojeści, wyrzutnika, pokrętki, przycisków oraz trzonów można czyścić tamponem nasyconym alkoholem izopropylowym.

UWAGA: Przed zastosowaniem środków czyszczących innych niż zalecane przez producenta, sprawdź tabele kompatybilności tworzyw, z których wykonane są elementy pipety: PP, PC, POM, PA, PPS, PVDF.

Pipeta może być poddana sterylizacji w całości w autoklawie w temperaturze 121°C przez 20 minut. Po przeprowadzeniu sterylizacji pipeta powinna zostać wysuszona i ostudzona do temperatury pokojowej. Zaleca się sterylizowanie pipet w autoklawie z cyklem próżni wstępnej i suszenia,

UWAGA:

- Sterylizacja w innych warunkach może spowodować uszkodzenie pipety
- Przed sterylizacją ustawić pokrętko nastawy pojemności w pozycji górnej (odblokowanej).

Przy prawidłowej eksploatacji i prawidłowo przeprowadzonym procesie autoklawowania nie zmienia się powtarzalność uzyskiwanych wyników. Ponieważ może wystąpić nieznaczna zmiana dokładności dozowania dlatego zaleca się:

- sprawdzanie kalibracji pipet po 1, 3 i 5 autoklawowaniu i co 10 cykli autoklawowań w dalszym okresie eksploatacji pipety.

Pipety są odporne na działanie promieni UV, co zostało potwierdzone przez nasze testy. Zalecana odległość od źródła promieniowania do elementu naświetlanego powinna być nie mniejsza niż 50 cm. Zbyt długotrwałe, intensywne naświetlanie może powodować nieznaczne zmiany w estetyce elementów kolorowych, bez wpływu na parametry pipety.

7. USUWANIE USTEREK

Jeżeli stwierdzisz nieprawidłową pracę pipety sprawdź przyczynę i usuń usterkę. Usuając usterkę postępuj w kolejności podanej w instrukcji. Wymianę elementów na nowe traktuj jako ostateczność, która przy prawidłowej eksploatacji pipety nie powinna się zdarzyć.

Problem	Przyczyna	Sposób postępowania
W końcówkach zostają krople cieczy	Zbyt szybkie wydawanie cieczy	Zmniejsz szybkość wydawania
	Zwiększona zwilżalność końcówek spowodowana wielokrotnym użyciem	Wymień końcówki na nowe
Pęcherzyki powietrza w pobranej cieczy	Mała głębokość zanurzenia końcówek	Zanurz końcówki głębiej zgodnie z instrukcją
	Końcówki słabo wciśnięte na trzony	Wciśnij końcówki mocniej
	Końcówki uszkodzone lub wielokrotnie używane	Wymień końcówki na nowe

Problem	Przyczyna	Sposób postępowania
Nieprawidłowe pobieranie lub ciecz wycieka z końcówek	Końcówki słabo wciśnięte na trzony	Wciśnij końcówki mocniej
	Uszkodzone lub zanieczyszczone powierzchnie trzonów w miejscu uszczelnienia	Wyczyść trzony lub oddaj pipetę do serwisu w celu wymiany trzonów
Nieprawidłowe pobieranie lub ciecz wycieka z końcówek	Uszkodzenie numników lub uszczelnienia spowodowane długotrwałym pobieraniem agresywnych cieczy	Oddaj pipetę do serwisu
	Zanieczyszczenie wnętrza pipety	
	Brak smaru na elementach uszczelniających	
Nierówna praca zespołu pipetowania, blokowanie się przy cisku pipetowania	Zanieczyszczenie wnętrza pipety spowodowane pobieraniem agresywnych substancji	Oddaj pipetę do serwisu
	Zanieczyszczenia wnętrza spowodowane zalaniem wnętrza pipety	
	Brak smaru na elementach uszczelniających np. po wielokrotnym autoklawowaniu	
Nieprawidłowe pobieranie	Ciecz o właściwościach innych niż woda (gęstość, lepkość).	Skalibruj pipetę używając do tego cieczy która ma być pipetowana
	Pokrętko objętości użyte w trybie CAL	Przeprowadź kalibrację pipety zgodnie z rozdziałem 5

Jeżeli wykonanie opisanych wyżej czynności nie usunie nieprawidłowej pracy pipety, skontaktuj się z dostawcą pipety w celu przeprowadzenia naprawy.

UWAGA: Przed wysyłką upewnij się czy pipeta nie jest zanieczyszczona agresywnymi odczynnikami chemicznymi, radioaktywnymi, mikrobiologicznymi stanowiącymi zagrożenie podczas transportu i naprawy. W miarę możliwości oczyść pipetę.

8. KOMPLETACJA

Pipety dostarczane są w następującym spakowaniu:

- Pipeta
- Skrócona Instrukcja obsługi + certyfikat
- CD
- Klucz kalibracyjny
- Statyw do pipet

Wszelkie prawa zastrzeżone. Produkty opisane w niniejszej instrukcji są dostępne w ograniczonym zakresie i podlegają zmianom technicznym. Błędy są dopuszczalne.

PZ HTL S.A. zastrzega sobie prawo ulepszania lub innego modyfikowania swoich produktów bez wcześniejszego powiadomienia.

© 2015 PZ HTL S.A.

СОДЕРЖАНИЕ

1. ВВЕДЕНИЕ

1.1. ОПИСАНИЕ ПРОДУКТА

1.2. РЕКОМЕНДАЦИИ ПО БЕЗОПАСНОСТИ

1.3. ПАРАМЕТРЫ

2. ПРИНЦИП ДЕЙСТВИЯ ПИПЕТКИ

2.1. УСТАНОВКА ОБЪЕМА

2.2. ПОДГОТОВКА ПИПЕТКИ К РАБОТЕ

3. РЕКОМЕНДАЦИИ ПО ЭКСПЛУАТАЦИИ

4. НАБИРАНИЕ И ВЫПУСКАНИЕ ЖИДКОСТИ

4.1. НАБИРАНИЕ ЖИДКОСТИ

4.2. ВЫПУСКАНИЕ ЖИДКОСТИ

4.3. ПРОМЫВАНИЕ

4.4. НАБИРАНИЕ ЖИДКОСТИ С БОЛЬШОЙ ПЛОТНОСТЬЮ

5. ПОВТОРНАЯ КАЛИБРОВКА

6. УХОД ЗА ПИПЕТКОЙ

7. УСТРАНЕНИЕ НЕПОЛАДОК

8. КОМПЛЕКТАЦИЯ

1. ВВЕДЕНИЕ

Пипетки **DISCOVERY PRO** являются семейством устройств, предназначенных для точного и безопасного измерения и переноса жидкостей любого объема в диапазоне от 1 мкл до 300 мкл в зависимости от конкретной модели.

Пипетки **DISCOVERY PRO** работают по принципу воздушной подушки, т.е. всасываемая жидкость не имеет контакта со стержнем или плунжером пипетки. Жидкость всасывается в одноразовые наконечники устанавливаемые на пипетку.

Пипетки оснащены четырехразрядным счетчиком, показывающим отмеренный объем, а установка объема производится при помощи установочного колеса (рис. 1B). Конструкция пипетки позволяет блокировать установленный объем.

1.1. ОПИСАНИЕ ПРОДУКТА

A. Кнопка пипетирования

B. Колесо установки объема

Предназначено для установки объема, а также для блокирования установленного объема.

C. Кнопка выбрасывателя

D. Заглушка

Используется для защиты места калибровки, может выполнять функцию идентификации пипетки пользователем.

E. Золотник калибрационный

Переключает пипетку из рабочего режима в режим калибровки

F. Счетчик объема

Четырехразрядный счетчик объема указывает установленный объем

G. Накладка счетчика

На накладке указывается диапазон объема набираемого вещества, соответствующий данной модели пипетки.

H. Выбрасыватель накладок

I. Стержни

Изготовлены из высококачественных материалов, обеспечивают высокую химическую устойчивость и механическую прочность

J. Блок

Включает комплект плунжеров и комплект стержней перемещающихся независимо

Объем пипеток идентифицируется цветом надписи Золотника калибрационный (рис. 1E) и Заглушке (рис. 1D) в зависимости от использованного типа наконечников.

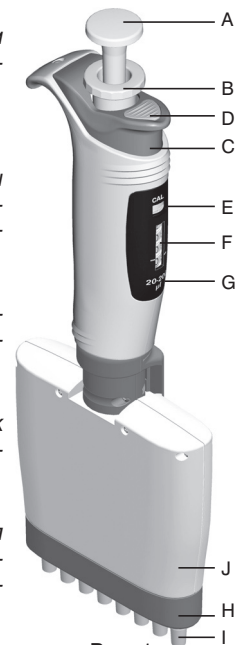


Рис. 1

Использованные цвета:

- пипетки 10 мкл – красный цвет
- пипетки 50 мкл и 200 мкл – желтый цвет
- пипетки 300 мкл – зеленый цвет

1.2. РЕКОМЕНДАЦИИ ПО БЕЗОПАСНОСТ

Использованные обозначения:

⚠ ПРЕДУПРЕЖДЕНИЕ! Риск получения травм

ВНИМАНИЕ: Возможно повреждение пипетки или появление ошибок в измерениях.

Долговременное и правильное действие пипетки в значительной мере зависит от способа ее эксплуатации. Поэтому подробно прочтите инструкцию по эксплуатации пипетки и соблюдайте содержащиеся в ней правила.

ВНИМАНИЕ:

- Пипетка была разработана для переноса жидкости исключительно в наконечнике. Нельзя набирать жидкости без наконечника. Набираемая жидкость не должна попасть внутрь пипетки, поскольку это грозит ее повреждением
- Разовое использование наконечника гарантирует безопасность и исключает возможность загрязнения набираемой жидкости.
- Не откладывать пипетку в горизонтальное положение если в наконечнике находится жидкость.
- Содержать пипетку в чистоте, не использовать для чистки агрессивные вещества (напр. ацетон).
- После замены плунжера следует произвести калибровку пипетки.
- Для сохранения соответствующих параметров пипеток, их следует использовать согласно рекомендациям производителя.
- В случае несоответствующего функционирования пипетки, необходимо очистить инструмент согласно приведенным инструкциям или обратиться за помощью в сервисный пункт.

⚠ ПРЕДУПРЕЖДЕНИЕ!

- Поступать согласно требованиям безопасности труда, принятым в лаборатории
- Соблюдайте особую осторожность при работе с агрессивными веществами. Необходимо использовать защитную одежду, очки и рукавицы.
- Ни при каких обстоятельствах не направлять пипетку с установленным наконечником к себе или в сторону других лиц, если в наконечнике находится жидкость
- Использовать заменяемые части и аксессуары исключительно рекомендованные производителем.

1.3. ПАРАМЕТРЫ

Пипетки **DISCOVERY PRO** являются высококачественными лабораторными приборами, обеспечивающими высочайшую точность измерений.

Ошибки (точность и повторяемость) были определены при использовании наконечников НТЛ гравиметрическим методом при минимум 10 пробах на дистиллированной воде с температурой $20 \pm 1^\circ\text{C}$ согласно нормы EN ISO 8665.

Модель	№ по каталогу	Объем [мкл]	Правильность [%]	Точность [%]	Инкремент [мкл]	Подходит к наконечникам [мкл]
DP8-10 DP12-10	4951	Min 0,5	$\pm 10,0$	$\pm 8,0$	0,01	10
	4955	Max 10	$\pm 4,0$ $\pm 2,0$	$\pm 2,0$ $\pm 1,2$		
DP8-50 DP12-50	4952	Min 5	$\pm 4,0$	$\pm 2,5$	0,05	200
	4956	Max 25 50	$\pm 3,0$ $\pm 1,6$	$\pm 1,2$ $\pm 0,6$		
DP8-200 DP12-200	4953	Min 20	$\pm 3,0$	$\pm 1,5$	0,2	
	4957	Max 100 200	$\pm 1,5$ $\pm 1,0$	$\pm 0,8$ $\pm 0,6$		
DP8-300 DP12-300	4954	Min 50	$\pm 1,6$	$\pm 1,5$	0,5	300
	4958	Max 150 300	$\pm 1,2$ $\pm 1,0$	$\pm 1,0$ $\pm 0,6$		

Таблица 1

Только использование наконечников НТЛ может гарантировать точность измерений на уровне, приведенном в таблице.

Конструкция пипетки позволяет производить калибровку пользователем согл. правил, приведенных в разд. 5.

2. ПРИНЦИП ДЕЙСТВИЯ ПИПЕТКИ

2.1. УСТАНОВКА ОБЪЕМА

Установка объема производится при помощи установочного кольца (рис. 1В).

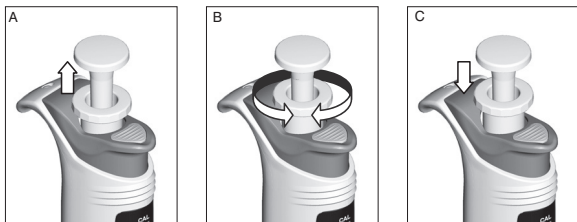


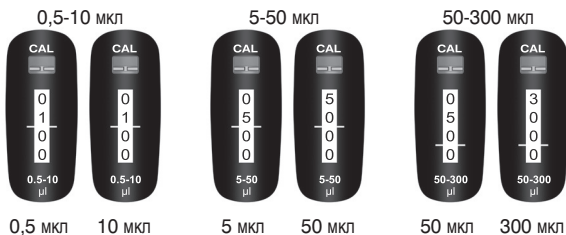
Рис. 2

Диапазон набираемого объема указывается на накладке счетчика (рис. 1Г). Объем указывается счётчиком и состоит из четырёх цифр, которые необходимо читать сверху вниз. Цифры на нижнем кольце указывают деление шкалы для данной модели. Значение деления шкалы (инкремент) представлено в таблице 1.

Изменение объема возможно после установки кольца в верхнем положении (рис. 2А и 2В).

После установки требуемого объема, кольцо (рис. 1В) необходимо переместить вниз для предотвращения случайного изменения значения объема (рис. 2С).

Примеры обозначений показания счетчика:



Показания счетчика выше горизонтальных указателей обозначают объем в мкл.

Чтобы получить максимальную точность, требуемый объем должен быть установлен от объема выше путем уменьшения показания счетчика.

Пример правильной установки объема:

- Если требуемый объем является меньше, чем установлен на счетчике, следует уменьшить показания счетчика до нужной величины. Перед достижением требуемого объема нужно уменьшить скорость вращения установочного кольца (рис. 1В), чтобы случайно не перейти за нужную величину (рис. 3).



Рис. 3

- Если требуемый объем является больше, чем установлен на счетчике, следует увеличить показания счетчика до величины превышающей требуемый объем примерно на 1/3 оборота нижнего кольца. Далее, медленно вращая установочное кольцо (рис. 1В), уменьшить установку до требуемого значения (рис. 3).

После установки требуемого объема, кольцо (рис. 1В) необходимо переместить вниз для блокирования установки значения объема (рис. 2С).

ВНИМАНИЕ: калибрационный золотник (рис. 1Е), расположенный над счетчиком, должен находиться в нижнем положении. В противном случае, каждое изменение объема будет приводить к раскалибровке пипетки.

2.2. ПОДГОТОВКА ПИПЕТКИ К РАБОТЕ

На стержни пипетки установить наконечники. Устанавливая наконечники на стержень, необходимо дожать пипетку в наконечники еще в упаковке до момента перемещения стержней внутрь корпуса на около 1,5 мм. Пружинистая конструкция стержней обеспечивает правильное уплотнение наконечников на стержнях без необходимости выполнения дополнительных движений из стороны в сторону. При установке наконечников пипетку необходимо удерживать в вертикальном положении. Тип соответствующего наконечника для данной модели пипетки представлен в табл. 1.

ВНИМАНИЕ:

- Рекомендуется применение наконечников рекомендованных производителем, поскольку только такие наконечники обеспечивают точное и повторяемое отмеривание жидкости.
- В особенности это касается пипеток малых ёмкостей. Никогда не следует набирать жидкости без установленных наконечников

3. РЕКОМЕНДАЦИИ ПО ЭКСПЛУАТАЦИИ

Для обеспечения точного и повторяемого набора жидкости необходимо соблюдать следующие условия.

- Пипетка **DISCOVERY PRO** во время работы должна иметь заблокированную установку объёма – установочное кольцо в нижнем положении (рис. 2С).
- Пипетка оснащена переключателем режима работы счетчика - калибрационным золотником (рис. 1Е). Золотник должен переключаться исключительно на время калибровки пипетки (верхнее положение с обозначением CAL).
- Нажатие на кнопку во время набора и выпуска жидкости должно быть свободным плавным.
- Глубина погружения наконечника в жидкости должна быть в границах 2-4 мм.
- Пипетка в процессе работы должна удерживаться вертикально
- Каждый новый наконечник должен быть промыт.
- Наконечник нужно заменить на новый если:
 - сменяется дозируемая жидкость;
 - сменяется объем дозируемой жидкости;
 - в нем остаются видимые капли жидкости.
- Набираемая жидкость не должна попасть внутрь стержня пипетки. Чтобы это обеспечить:
 - нажимай и отпускай кнопку пипетирования медленно и плавно;
 - не откладывай пипетку если в наконечнике находится жидкость;
 - не переворачивай пипетку;
 - не устанавливай и не набирай объёма большего, чем номинальные значения.
- Перед набором жидкости с температурой отличной от температуры окружающей среды рекомендуется несколько раз прополоскать наконечники набираемой жидкостью.

4. НАБИРАНИЕ И ВЫПУСКАНИЕ ЖИДКОСТИ

4.1 НАБИРАНИЕ ЖИДКОСТИ

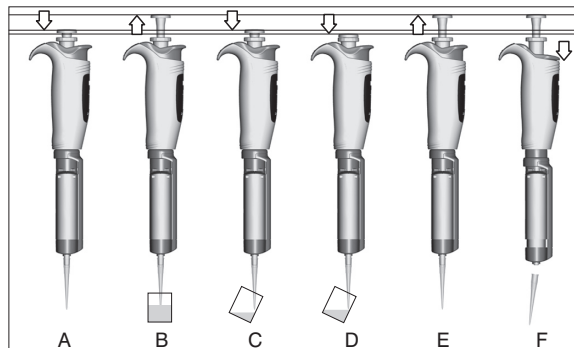


Рис. 4

- Кнопку пипетирования (рис. 1А), необходимо нажать до первого сопротивления (рис. 4А),
- Удерживая пипетку вертикально необходимо опустить наконечник на глубину 2-4 мм в жидкость и однократно прополоскать его набирая и выпуская некоторый объем жидкости равномерным медленным движением. При погружении наконечника на глубину меньшую, чем рекомендуемая, а также при быстром отпускании кнопки пипетирования, в наконечник может попасть воздух,
- Для набора жидкости, необходимо медленным, плавным движением отпустить кнопку пипетирования (рис. 4В),
- Перед выниманием наконечника из набираемого образца необходимо выждать около 1 секунды.

⚠ ПРЕДУПРЕЖДЕНИЕ! Не следует прикасаться к использованным наконечникам.

4.2 ВЫПУСКАНИЕ ЖИДКОСТИ

- Удерживая пипетку под углом от 10 до 40 градусов к вертикальной линии необходимо приложить конец наконечников к стенке сосуда.
- Затем медленным, плавным движением необходимо нажать кнопку до первого сопротивления, вызывая выпускание жидкости (рис. 4С).
- Спустя секунду необходимо нажать кнопку до конца для опорожнения наконечника от остатков жидкости (рис. 4D).

- Держа кнопку нажатой до сопротивления вынуть пипетку перенося наконечники по стенке сосуда
- Отпустить кнопку пипетирования до начальной позиции (рис. 4E) и сбросить наконечники, нажимая кнопку выбрасывателя (рис. 4F).

ВНИМАНИЕ: Если сменяется дозируемая жидкость следует помнить об обязательной смене наконечники новыми.

4.3 ПРОМЫВАНИЕ

Во время пипетирования жидкости плотностью большей или поверхностным натяжением меньшим чем вода (напр. сыворотки или органические растворители), слой жидкости оседает на внутренней стенке наконечника. Данный слой может быть источником ошибки измерения. Поскольку объем данного слоя сохраняется примерно постоянным, во время очередного пипетирования с тем же наконечником, ошибки можно избежать, создавая такой слой перед первым пипетированием. Для этой цели нужно выполнить один полный цикл пипетирования данной жидкости в тот же самый сосуд. При таких действиях, слой жидкости, находясь в наконечниках обеспечит лучшую точность и повторяемость очередных измерений.

4.4 НАБИРАНИЕ ЖИДКОСТИ С БОЛЬШОЙ ПЛОТНОСТЬЮ

Ошибки точности и повторяемость, приведенные в таблице 1, были получены при использовании дистиллированной воды. При пипетировании жидкостей, свойства которых (густота, вязкость, поверхностное натяжение) отличаются от свойства воды, может оказаться необходимым установка компенсации объема.

ВНИМАНИЕ: Различий в набирации можно избежать, если пипетирование будет производиться медленно, так чтобы жидкость могла успевать за изменяющимся давлением. После каждого набирации и выпускания необходимо выждать около 2 секунд, не изменяя положения пипетки.

Если описанная последовательность действий не обеспечит оптимальную точность результатов, необходимо провести повторную калибровку пипетки в соответствии с разделом 5.

После калибровки рекомендуется записать факт выполнения калибровки, а также величину введённой поправки, что облегчит повторную операцию для образцовой жидкости.

5. ПОВТОРНАЯ КАЛИБРОВКА

Пипетки **DISCOVERY PRO** калиброваны гравиметрическим методом, при использовании наконечников НТЛ и дистиллированной воды, при температуре $20^{\circ} \pm 1^{\circ}\text{C}$ в соответствии с нормой EN ISO 8655.

Необходимо производить периодически проверку работы пипетки, причём период работы пипетки без проверки зависит от рода нагрузки (исследуемые жидкости) и других условий (интенсивность нагрузки, стерилизация в автоклаве, замена узлов), в которых пипетка используется.

Рекалибровка пипетки производится в случае определения в процессе использования пипетки, что ошибка точности (разница между действительная объёмом набирации и установленным) превышает допустимые значения, приведенные в Таблице 1.

На процесс набирации жидкости влияют: используемые наконечники, характеристика жидкости (плотность, вязкость), а также условия работы (температура окружающей среды, давление).

Проверка параметров пипетки

Чтобы определить ошибку точности пипетки должны быть соблюдены нижеследующие условия:

- Температура окружающей среды, пипетки, наконечника и жидкости (стандартной дистиллированной воды) должна быть в границах $20\text{-}25^{\circ}\text{C}$ и стабилизирована в процессе взвешивания в границах $\pm 0,5^{\circ}\text{C}$,
- Плотность используемой жидкости должна быть сопоставима с дистиллированной водой
- Чувствительность весов должна быть соответствующая для контролируемого объёма (Таблица 2)
- В таблице 3 представлены значения мг/мкл для дистиллированной воды или жидкости с сопоставимой плотностью).

Объем (мкл)	0,1 - 10	10 - 100	> 100
Чувствительность весов (мг)	$\leq 0,001$	$\leq 0,01$	$\leq 0,1$

Таблица 2

Температура [°C]	Давление (кПа)		
	95	101.3	105
20	1.0028	1.0029	1.0029
21	1.0030	1.0031	1.0031
22	1.0032	1.0033	1.0033
23	1.0034	1.0035	1.0036
24	1.0037	1.0038	1.0038
25	1.0039	1.0040	1.0040

Таблица 3

ВНИМАНИЕ: Пипетирование должно происходить в соответствии с правилами, приведенными в разделах 3 и 4.

Способ проведения рекалибровки

- Установить объем дозы в зависимости от емкости пипетки в соответствии с Таблицей 4

Модель Диапазон пипетки	Объем [мкл]	Предустановленный объем [мкл]	Допускаемый объем [мкл]
DP8-10, DP12-10	0,5-10	0,5	0,45-0,55
DP8-50, DP12-50	5-50	5	4,8-5,2
DP8-200, DP12-200	20-200	20	19,4-20,6
DP8-300, DP12-300	50-300	50	49,2-50,8

Таблица 4

- Произвести 5 замеров, каждый раз взвешивая и рассчитать среднее значение.
- Подсчитать среднее значение набираемого объема в [мкл], умножая среднее значение набираний [мг] на коэффициент плотности дистиллированной воды [мкл/мг] зависящий от температуры и давления (Таблица 3).
- Если средний объем набирания превышает допускаемое значение, необходимо провести рекалибровку пипетки.

Рекалибровка пипетки заключается в установке на счетчике действительного значения полученного в процессе взвешивания. Для этого следует произвести следующие действия:

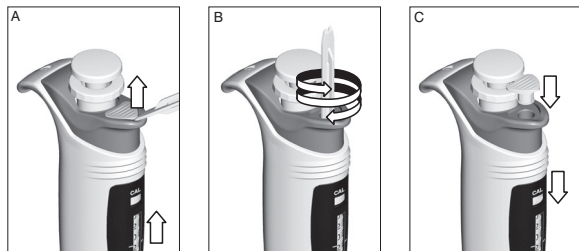


Рис. 5

- Снять заглушку (рис. 1D) используя для этой цели калибрационный ключ (рис. 5A),
- Установить калибровочный золотник (рис.1E) в верхнюю позицию (рис. 5A),
- Вставить калибровочный ключ в отверстие кнопки выпуска (рис.1C) и поместить в калибровочном резьбовом элементе счетчика (рис. 5B),
- Повернуть ключ так, чтобы указываемый счетчиком объем был равен среднему рассчитанному объему.
- Вынуть калибровочный ключ и установить калибровочный золотник в нижнюю позицию (рис. 5C), переходя таким образом в режим пипетирования,
- Установить накладку кнопки выпуска (рис. 5C).

После калибрования рекомендуется записать факт проведения рекалибровки.

ВНИМАНИЕ: Перед началом калибровки кольцо установки объема должно быть заблокировано. Перестановка кольца после переключения пипетки в режим калибровки (CAL) вызовет изменение калибровки пипетки без видимых изменений в установке счетчика.

6. УХОД ЗА ПИПЕТКОЙ

В зависимости от вида работ и интенсивности использования, пипетка требует периодического ухода. Больше всего подверженные воздействию испарений агрессивных растворов узлы, такие как элементы стержня, должны регулярно контролироваться и чиститься.

Чтобы правильно провести техническое обслуживание, нужно ознакомиться с устройством блока стержня приведенным в разделе 8, а также соблюдать правила, приведенные в текущем разделе.

ВНИМАНИЕ: Перед использованием иных чистящих средств отличных от рекомендованных производителем, проверить таблицу совместимости веществ, из которых изготовлены элементы пипетки: PP, PC, POM, PA, PPS, PVD.

Пипетка полностью может подвергаться стерилизации в автоклаве при температуре 121°C в течение 20 минут. После стерилизации пипетка должна быть высушена и охлаждена до комнатной температуры. Рекомендуется стерилизовать пипеток в автоклаве с циклом предварительного вакуума и высушивания,

ВНИМАНИЕ:

- Стерилизация в других условиях может привести к повреждению пипетки
- перед стерилизацией установить регулировочное кольцо объема в верхнюю позицию (разблокировано)

При правильной эксплуатации и правильно проведенном процессе стерилизации в автоклаве повторяемость получаемых результатов не изменяется. Поскольку может наступить незначительное изменение точности дозировки рекомендуется:

- проверка калибровки пипеток после 1, 3 и 5 циклов стерилизации в автоклаве, а также в дальнейшей эксплуатации каждые 10 циклов стерилизации в автоклаве.

Пипетки устойчивы к действию УФ лучей, что подтверждено нашими испытаниями. Рекомендованное расстояние от источника излучения до облучаемого элемента должно составлять не менее 50 см. Слишком длительное, интенсивное облучение может вызвать незначительные изменения внешнего вида цветных элементов, что не повлияет на характеристики пипеток.

7. УСТРАНЕНИЕ НЕПОЛАДОК

Если будет обнаружена неправильная работа пипетки, проверить причину и устранить неполадку. Устраняя неполадку следовать приведенным инструкциям. Замену элементов на новые необходимо рассматривать как крайнюю меру, которая в нормальной эксплуатации не должна произойти.

Проблема	Причина	Действия
В наконечниках остаются капли жидкости	Слишком быстрое выпускание жидкости	Уменьшить скорость выпуска
	Повышенная намокаемость наконечников по причине многократного использования	Заменить наконечники на новые
Пузырьки воздуха в исследуемой пробе	Малая глубина опускания наконечников	Опустить наконечники глубже согласно инструкции
	Наконечники слабо насажены на стержни	Сильнее насадить наконечник
	Наконечники повреждены или многократно использованы	Заменить наконечники на новые
Неправильное набиравие или жидкость вытекает из наконечников	Наконечники слабо насажены на стержни	Насадить наконечники сильнее
	Повреждены или загрязнены поверхности стержней в месте уплотнения	Очистить стержни или Обратиться за помощью в сервисный пункт
	Повреждение плунжера или уплотнения вызванное долговременным набиравием агрессивной жидкости	Обратиться за помощью в сервисный пункт
	Загрязнение внутреннего пространства пипетки	
	Отсутствие смазки на уплотнительных элементах.	

Проблема	Причина	Действия
Неравномерная работа блока пипетирования, блокировка кнопки пипетирования	Загрязнение внутреннего пространства пипетки вызванное набиранием агрессивных веществ	Обратиться за помощью в сервисный пункт
	Загрязнение внутреннего пространства пипетки вызванное ее заливанием	
	Отсутствие смазки на уплотнительных элементах напр. после многократной стерилизации в автоклаве	
Неправильное набирание	Жидкость с характеристиками отличающимися от воды (плотность, вязкость).	Провести калибровку пипетку с использованием требуемой жидкости
	Кольцо объема повернутое во время активного режима CAL	Провести калибровку пипетки согласно п.5

Если приведенные выше пути решения проблем не устранили неправильное функционирование пипетки, свяжитесь с поставщиком пипетки для осуществления ремонта.

ВНИМАНИЕ: Перед отправкой убедитесь не загрязнена ли пипетка агрессивными химическими радиоактивными, микробиологическими реагентами, представляющими угрозу во время транспорта и ремонта. По мере возможности очистите пипетку.

8. КОМПЛЕКТАЦИЯ

Пипетки поставляются в следующем комплекте

- Пипетка
- Инструкция обслуживания и сертификат
- CD
- Калибровочный ключ
- Штатив для пипеток

Все права защищены. Продукты, описанные в настоящей инструкции, доступны в ограниченном количестве и подлежат техническим изменениям. Ошибки допускаются.

PZ HTL S.A. оставляет за собой право на усовершенствование либо иного рода модификацию своих продуктов без предварительного уведомления.

© 2015 PZ HTL S.A.

DP-M/08/2015/I



Producent:

PZ HTL S.A.
Daniszewska 4.
03-230 Warsaw, Poland
Tel.: +48 22 492-19-00
Fax: +48 22 492-19-93
www.htl.com.pl